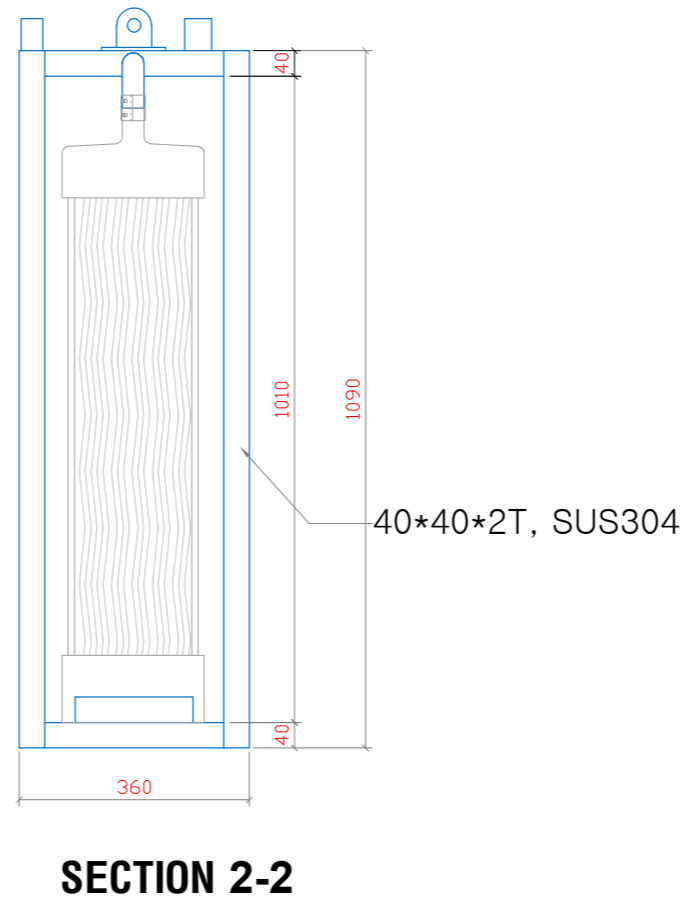
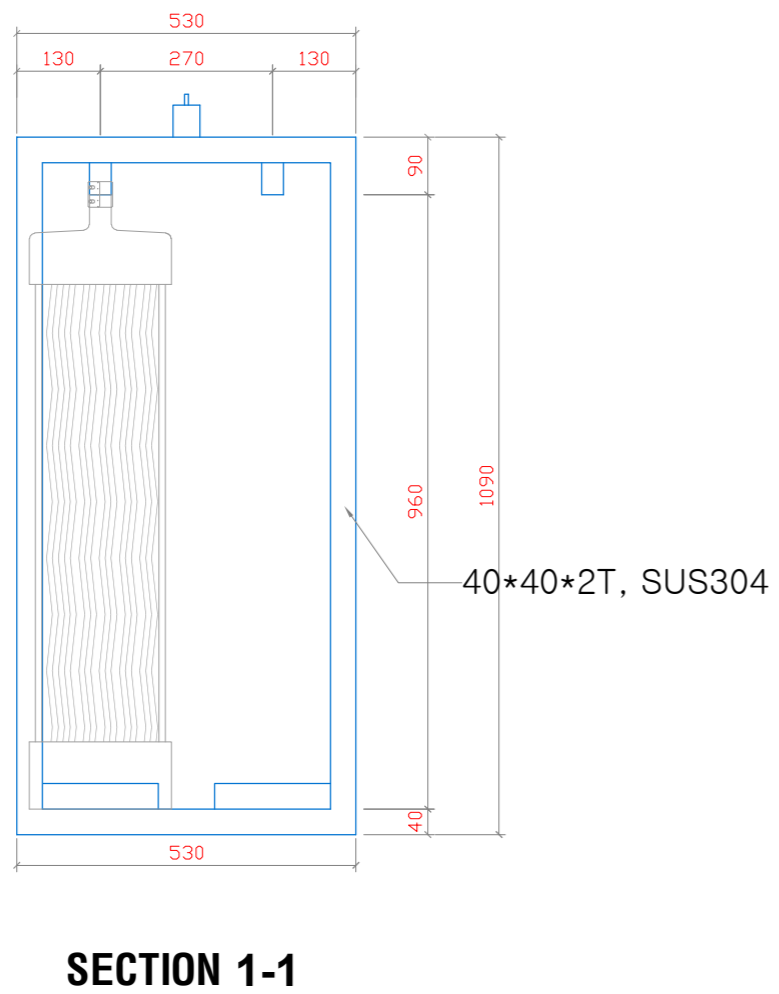
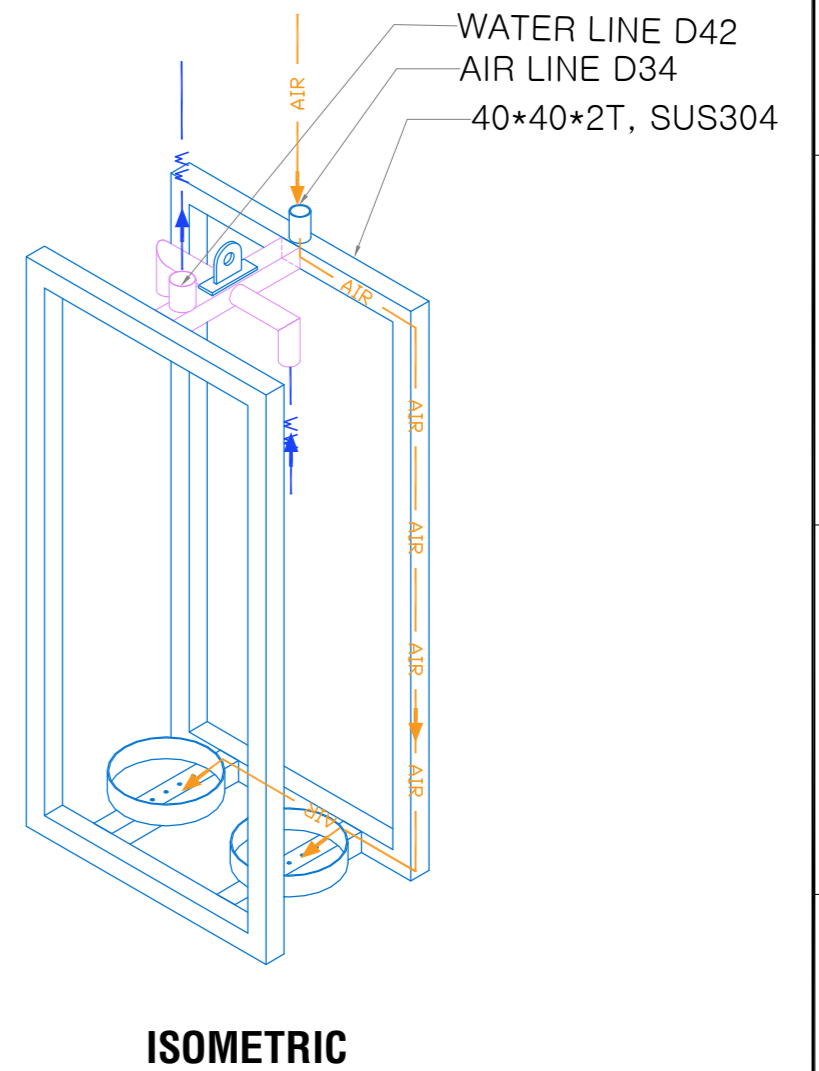
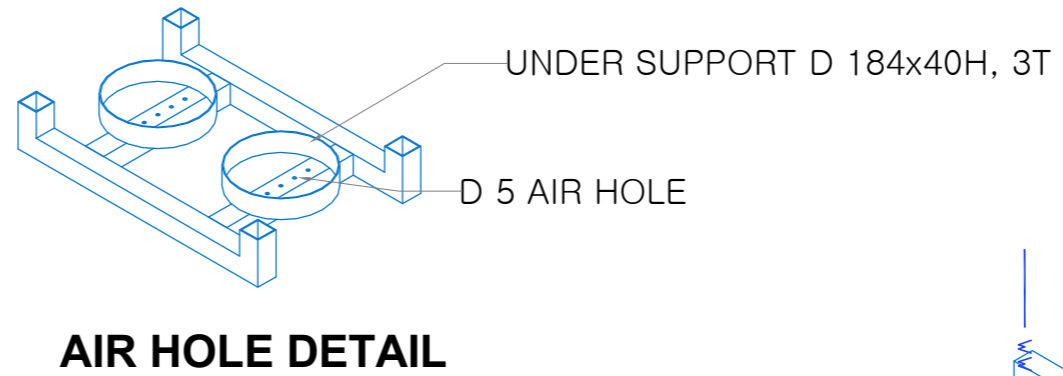
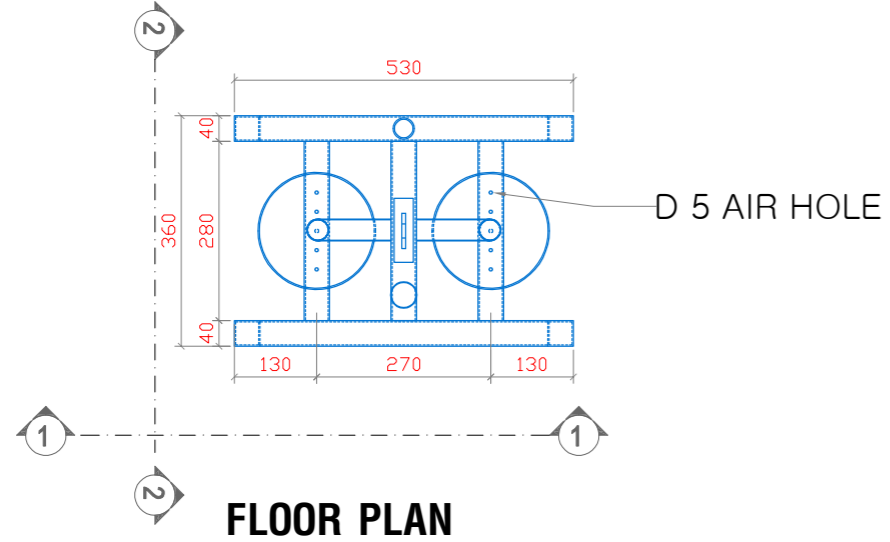


# DETAIL OF DFX-810\*2F

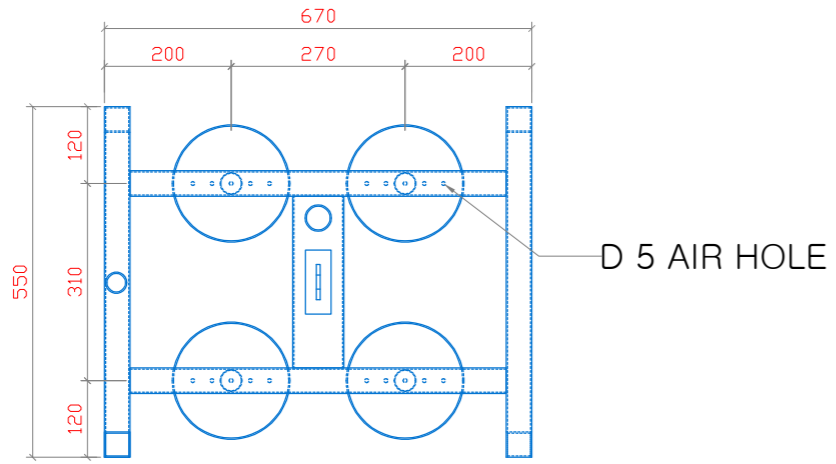


REV.	DATE	DESCRIPTION	DWN	CKD	RVD	PM

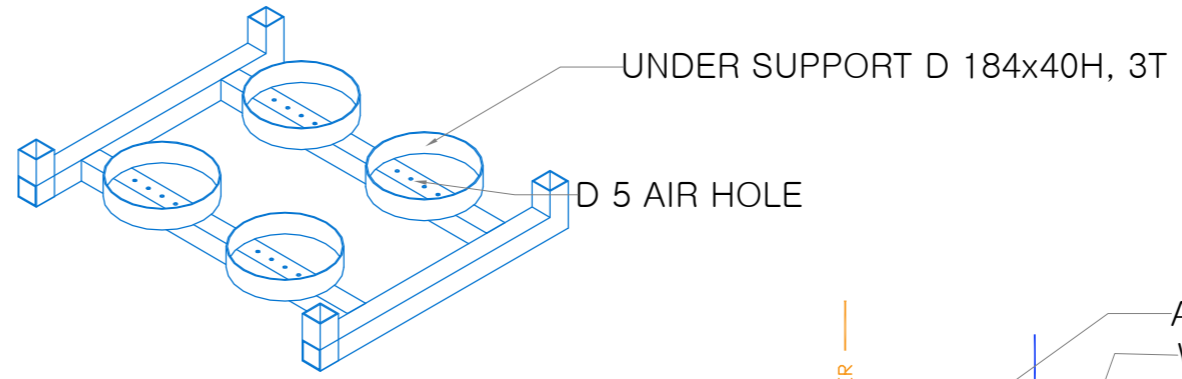
PROJECT NAME	
CLIENT	
	ISSUE A
<b>DEERFOS MEMBRANES</b>	
TITLE	DETAIL OF DFX-810 * 2F
SCALE	N/S
	DWG. START DATE
	REV. A



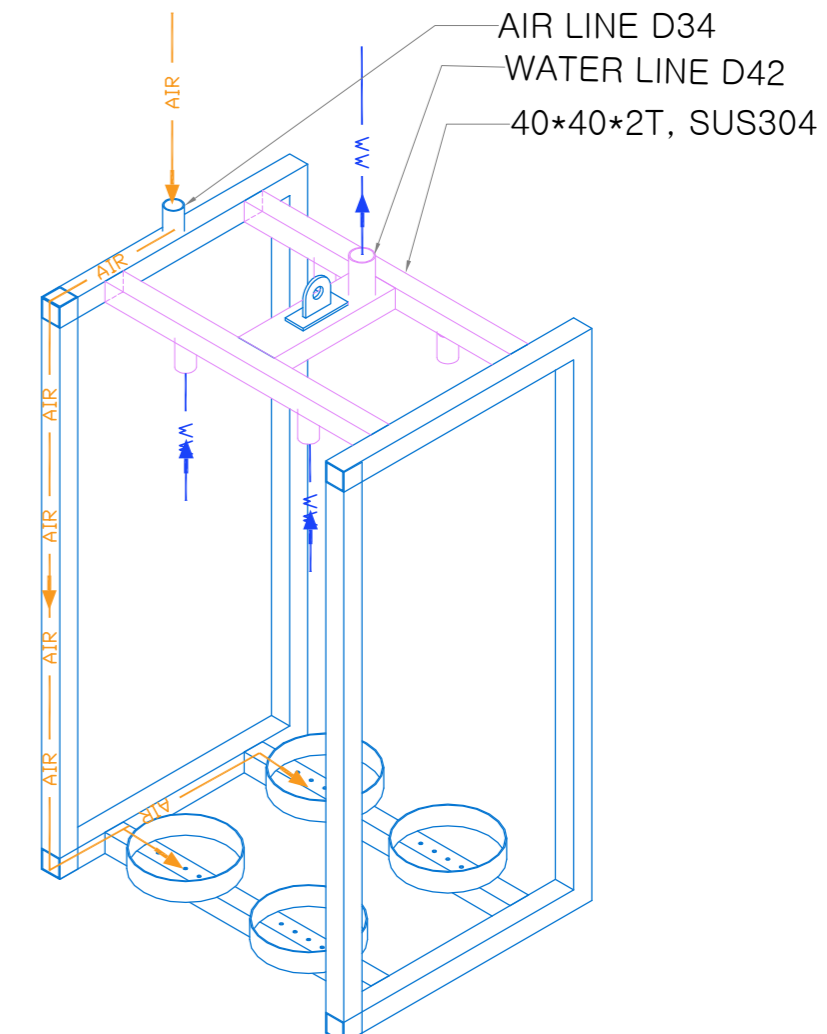
# DETAIL OF DFX-810\*4F



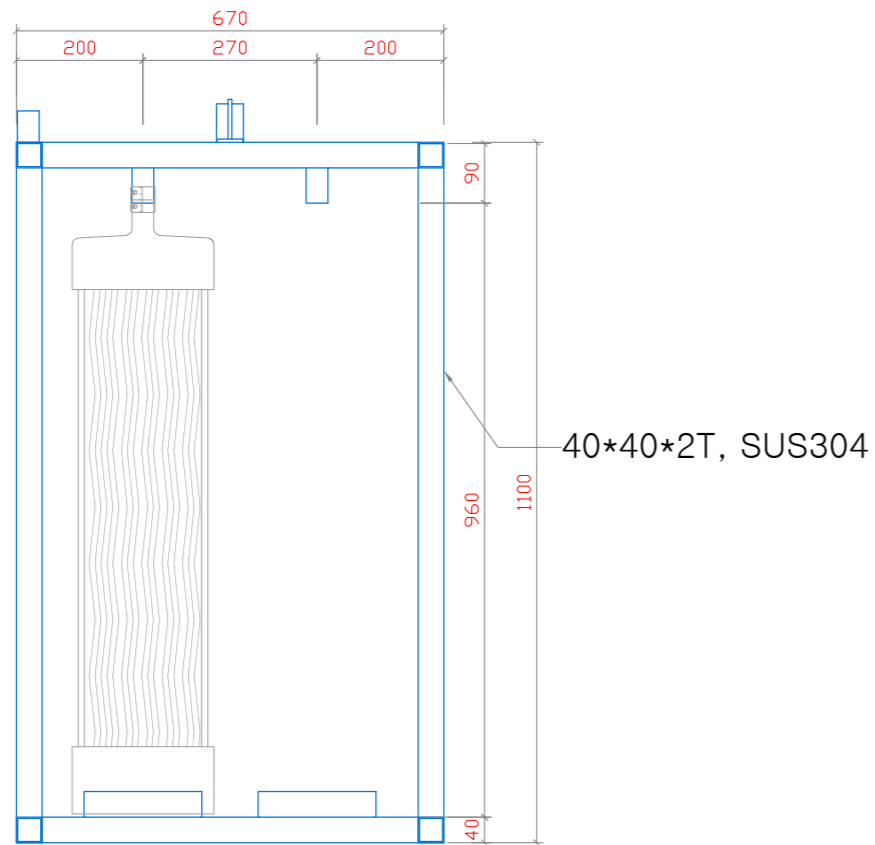
### FLOOR PLAN



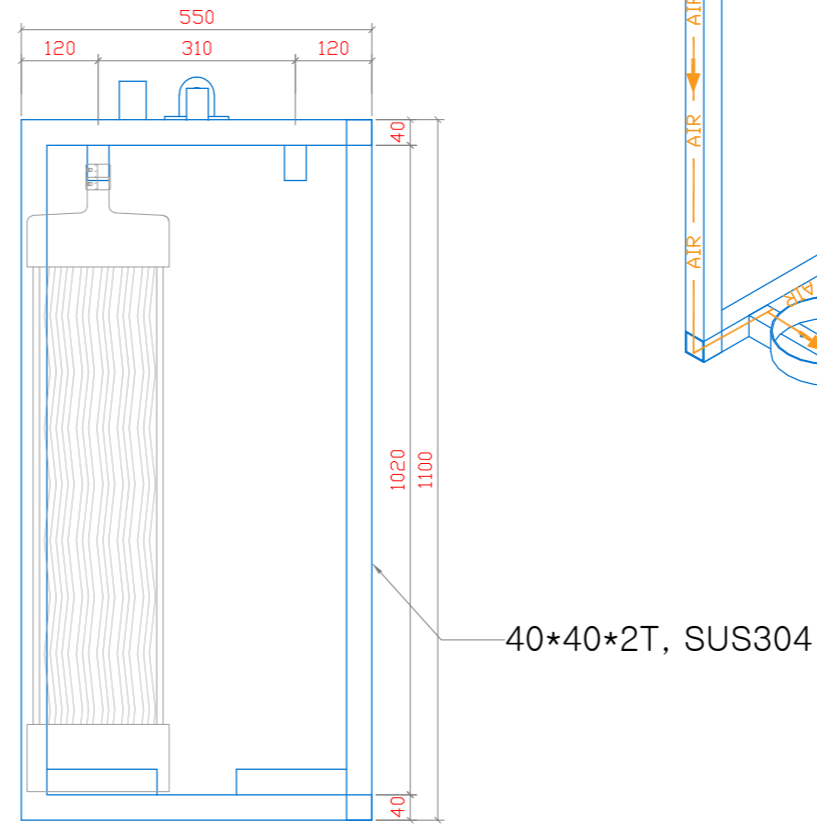
### AIR HOLE DETAIL



### ISOMETRIC



### SECTION 1-1



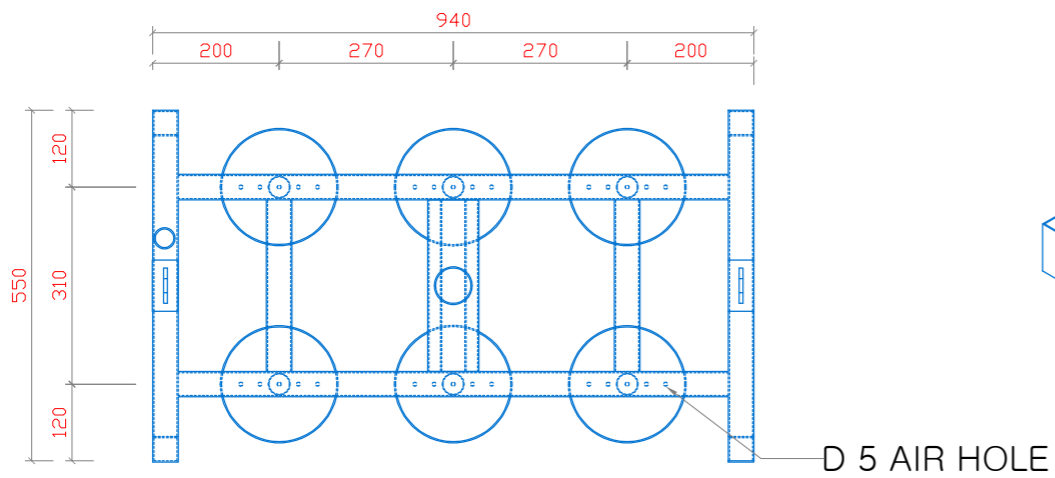
### SECTION 2-2

REV.	DATE	DESCRIPTION	DWN	CKD	RVD	PM

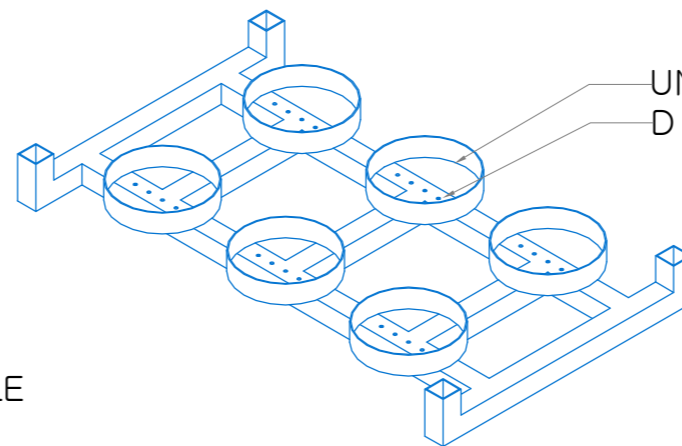
PROJECT NAME	
CLIENT	
	ISSUE A
	ISSUE A
TITLE	DETAIL OF DFX-810 * 4F
SCALE	N/S
	REV. A



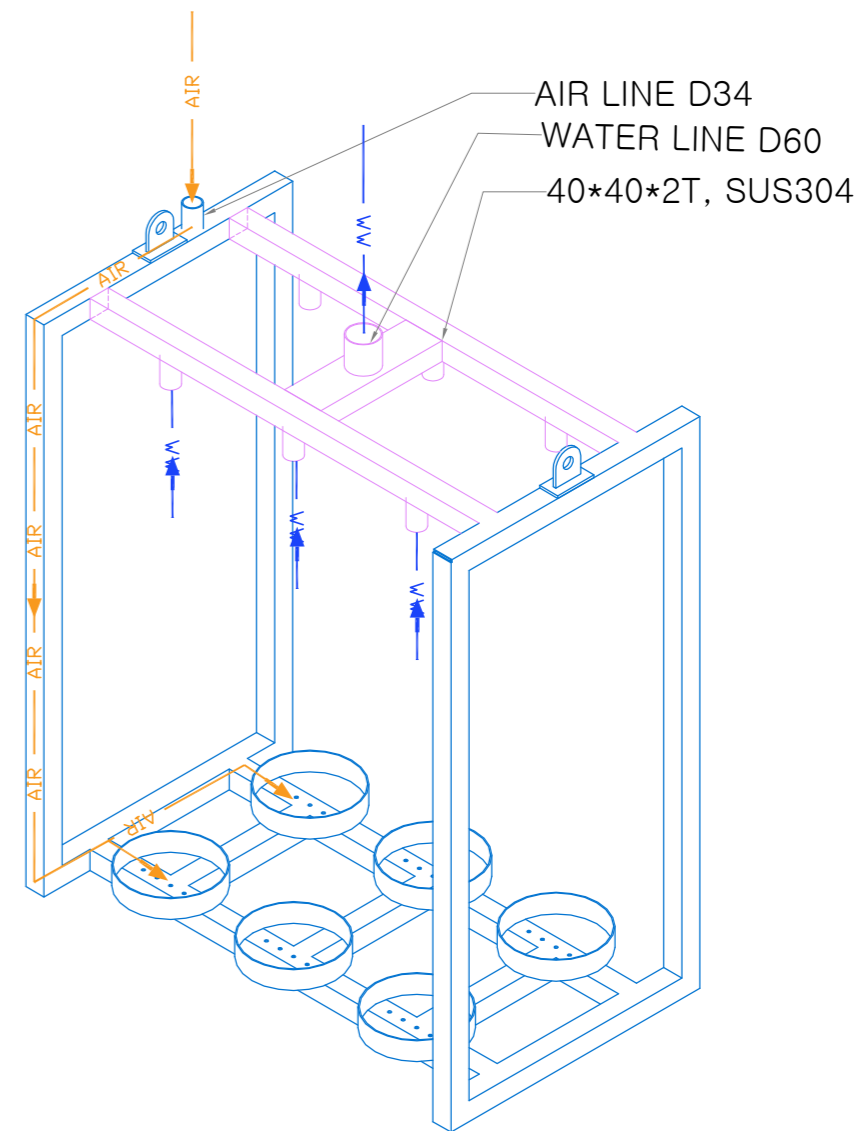
# DETAIL OF DFX-810\*6F



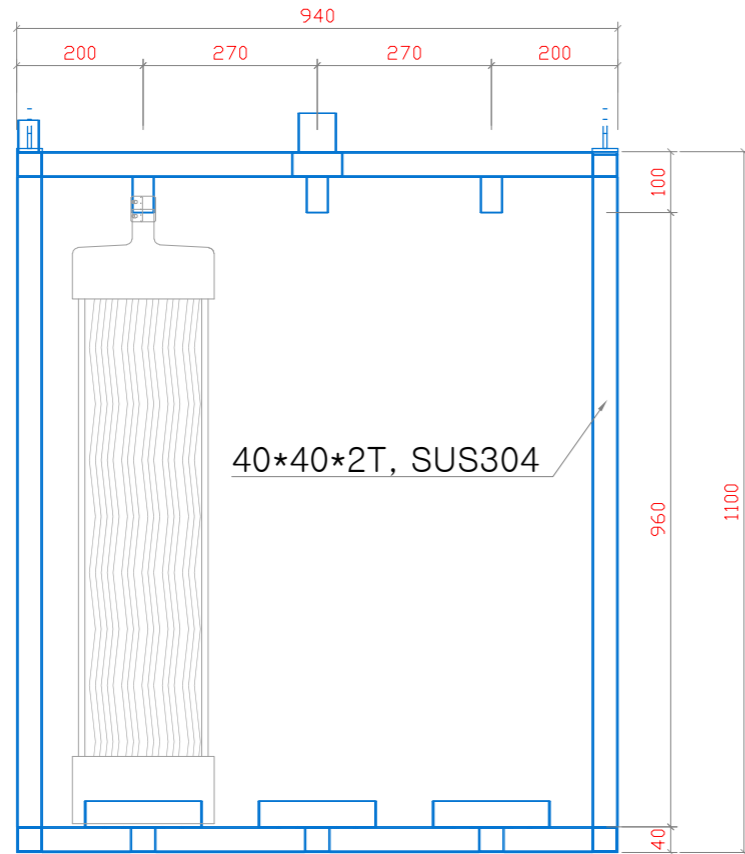
**FLOOR PLAN**



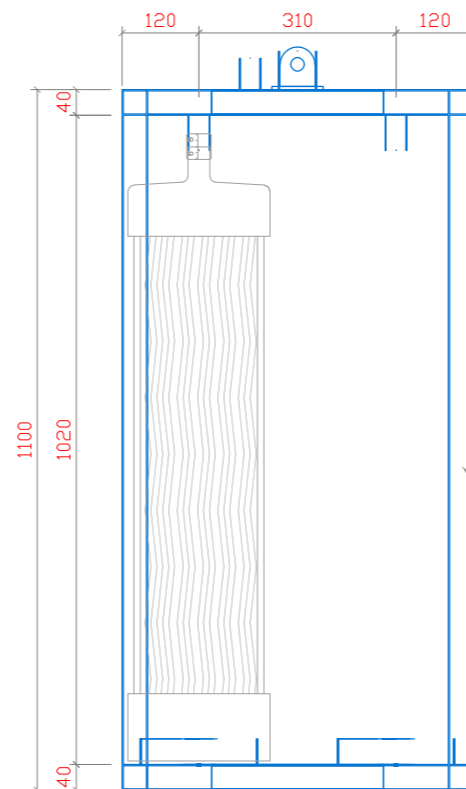
**AIR HOLE DETAIL**



**ISOMETRIC**



**SECTION 1-1**



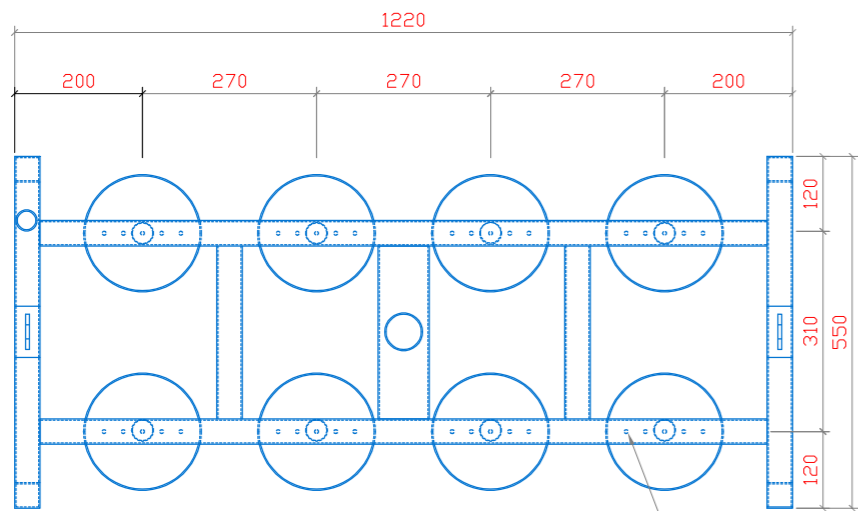
**SECTION 2-2**

REV.	DATE	DESCRIPTION	DWN	CKD	RVD	PM

PROJECT NAME	
CLIENT	
<b>DEERFOS MEMBRANES</b>	
TITLE	DETAIL OF DFX-810 * 6F
SCALE	N/S
REV. A	

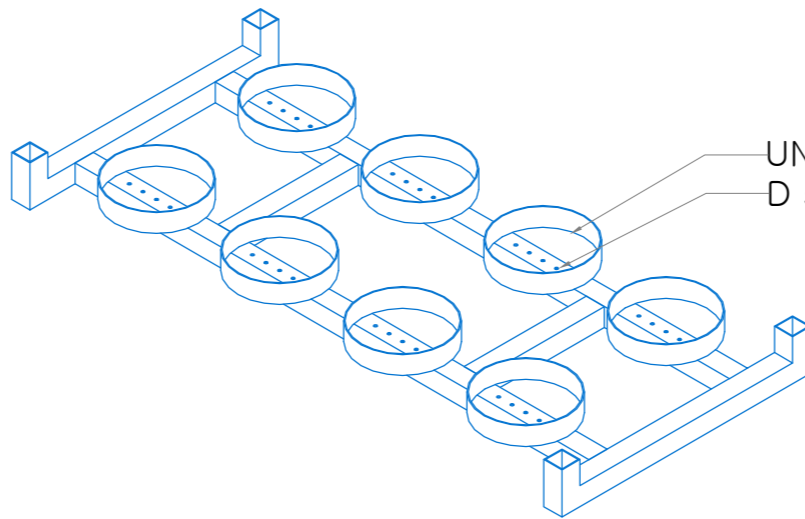


# DETAIL OF DFX-810\*8F



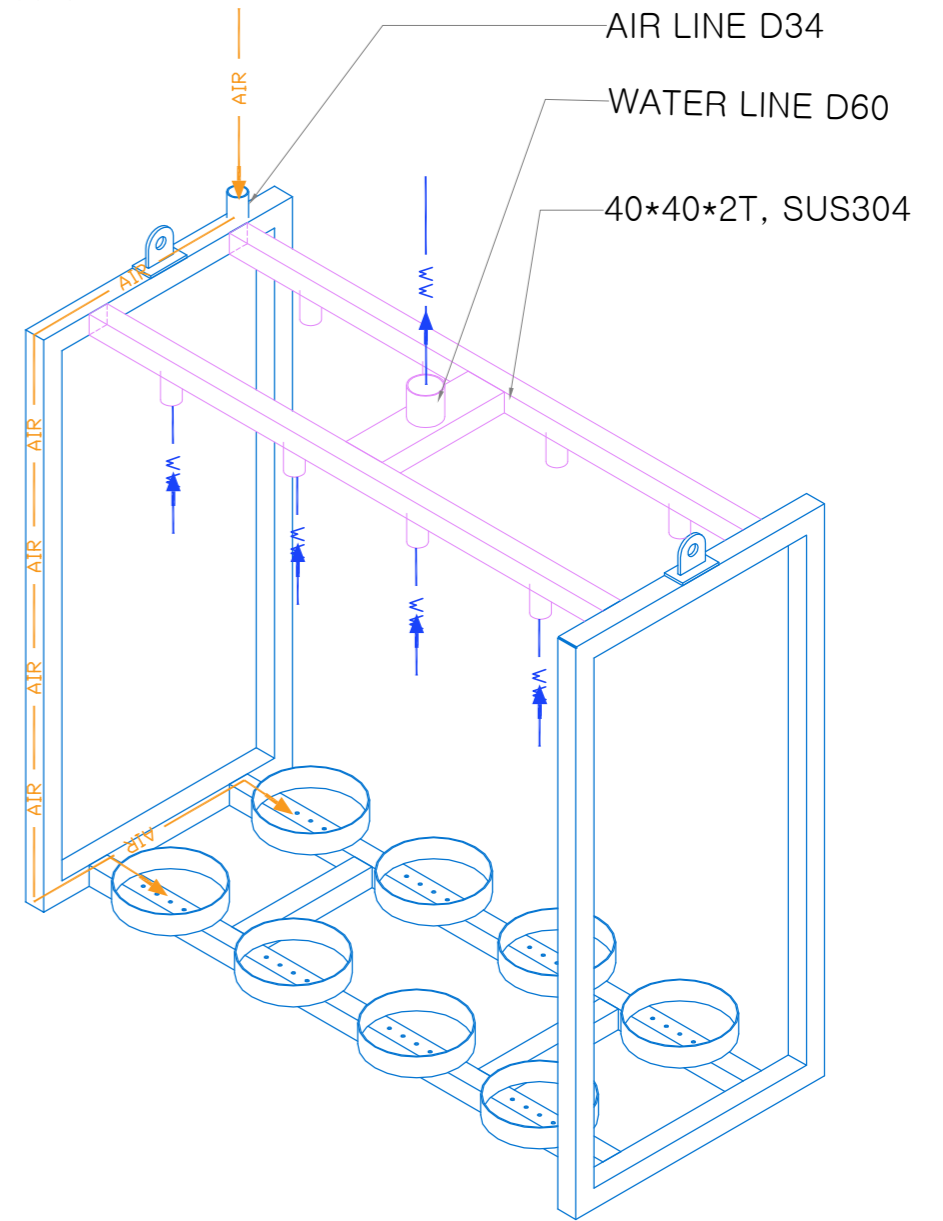
**FLOOR PLAN**

D 5 AIR HOLE



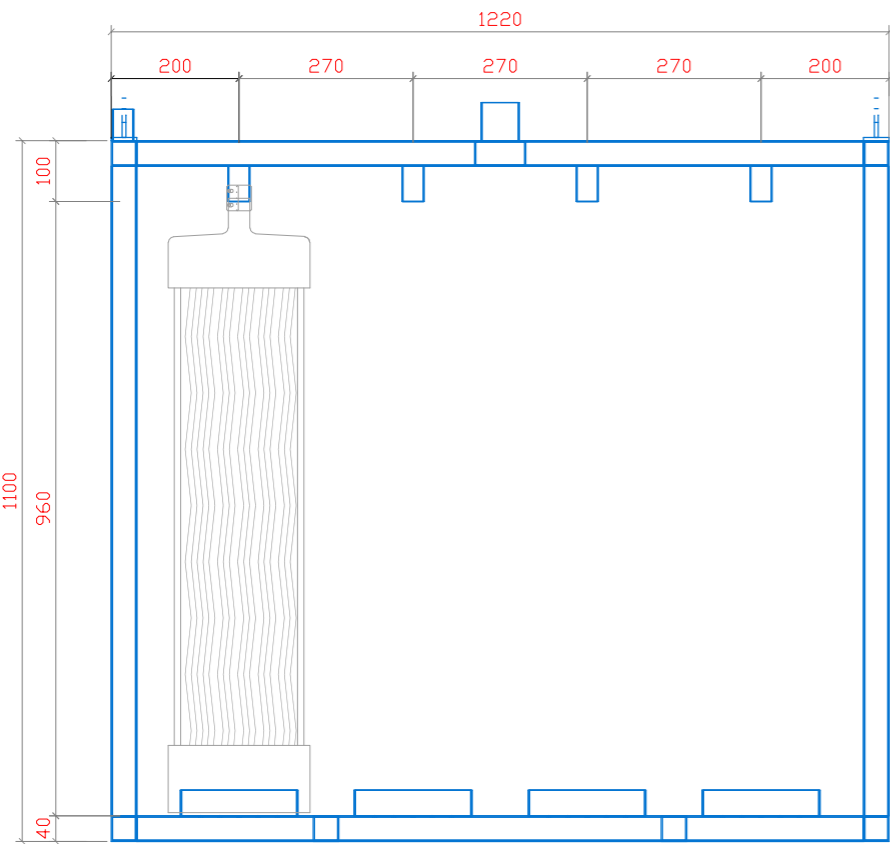
**AIR HOLE DETAIL**

UNDER SUPPORT D 184x40H, 3T  
D 5 AIR HOLE

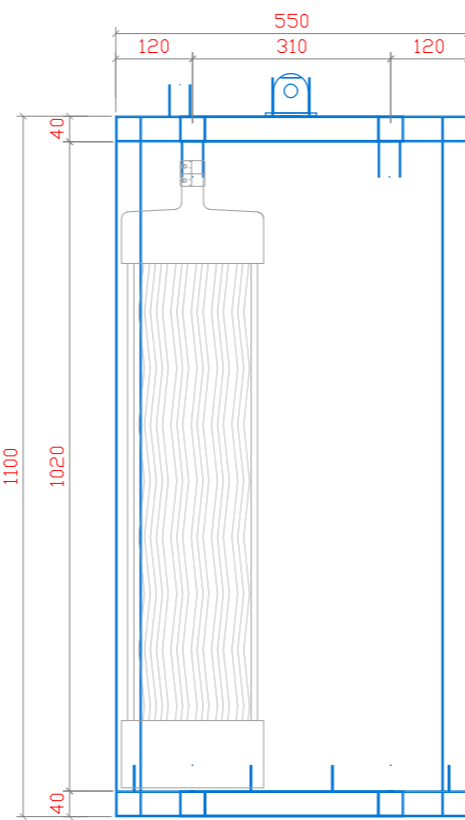


**ISOMETRIC**

AIR LINE D34  
WATER LINE D60  
40\*40\*2T, SUS304



**SECTION 1-1**



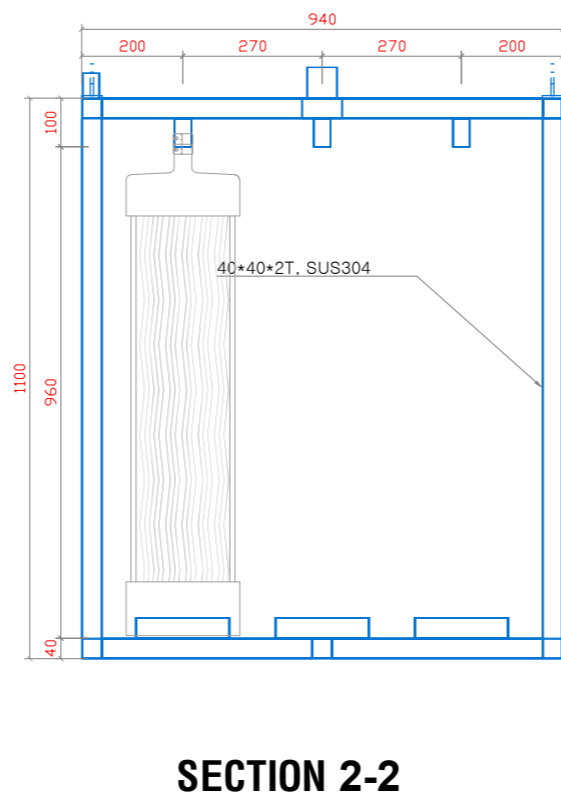
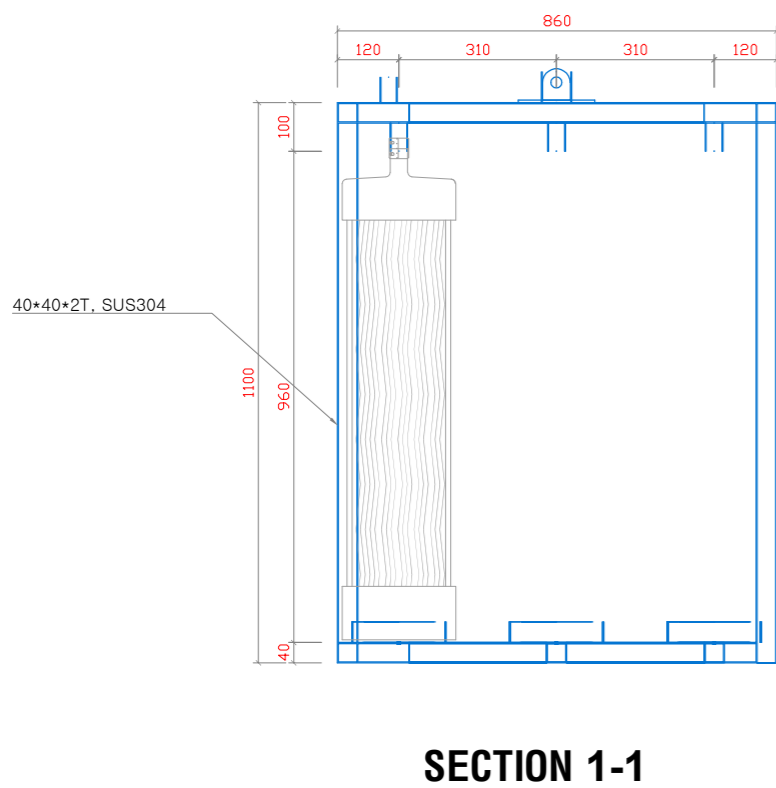
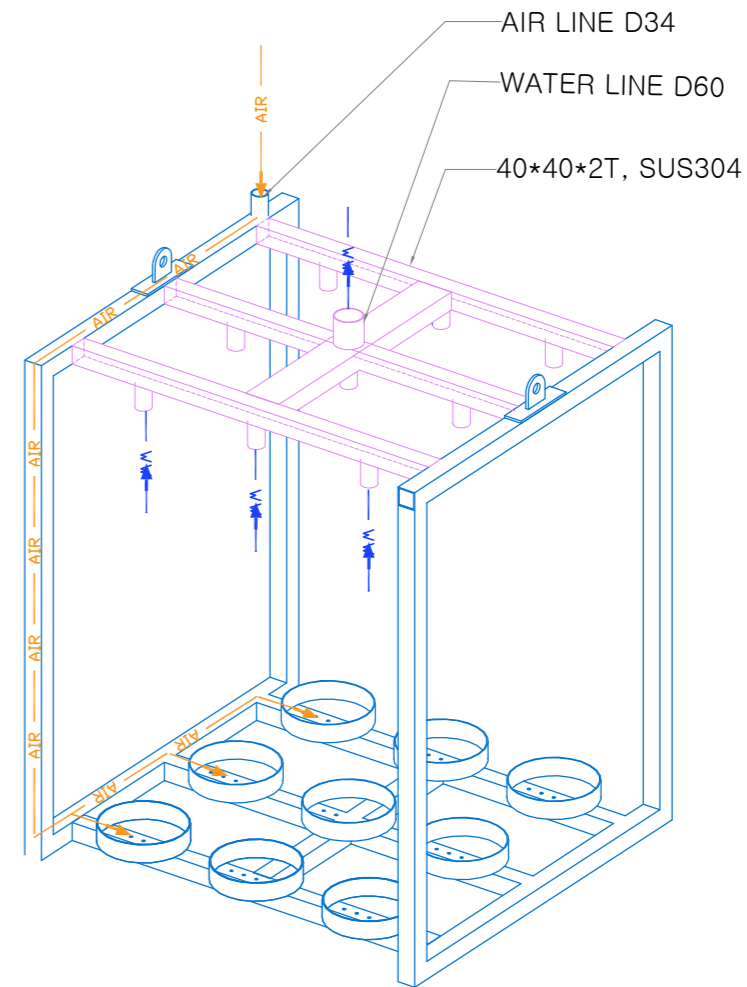
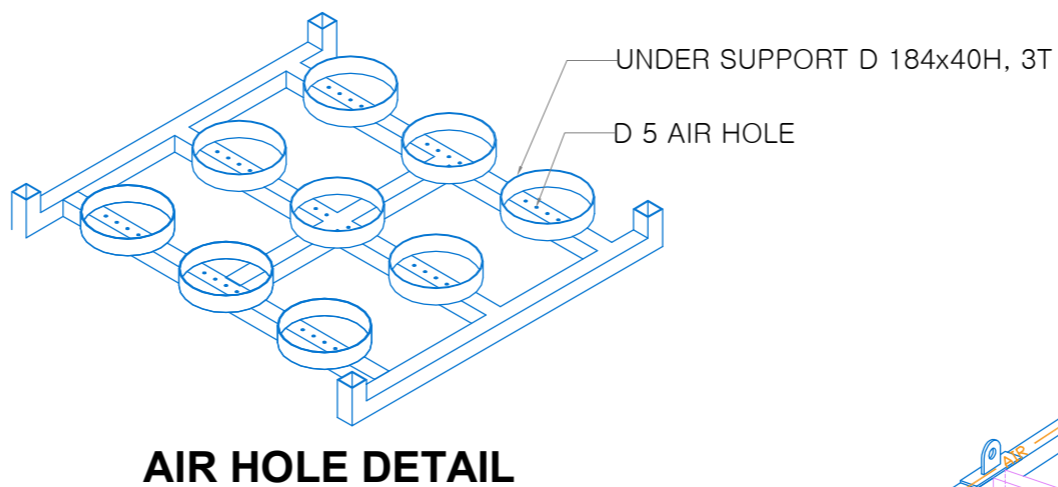
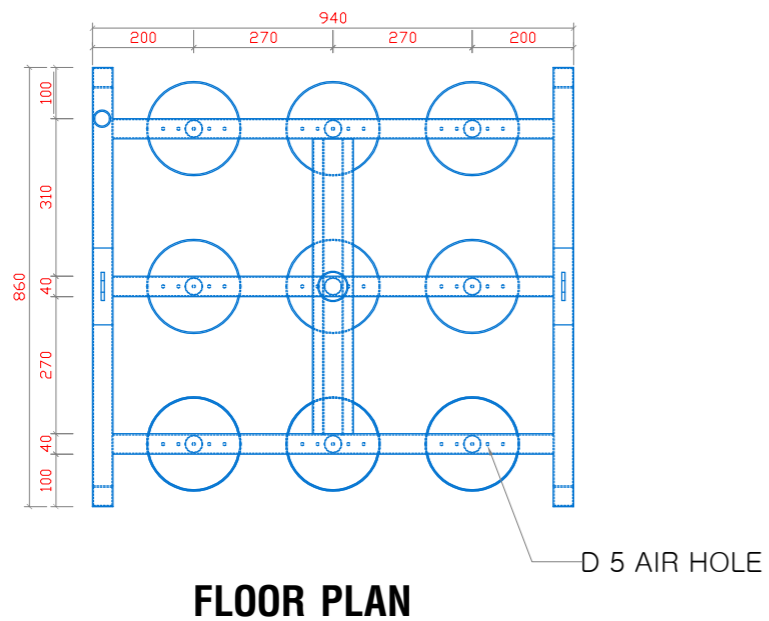
**SECTION 2-2**

REV.	DATE	DESCRIPTION	DWN	CKD	RVD	PM

PROJECT NAME	
CLIENT	
<b>DEERFOS MEMBRANES</b>	
TITLE	DETAIL OF DFX-810 * 8F
SCALE	N/S
REV.	



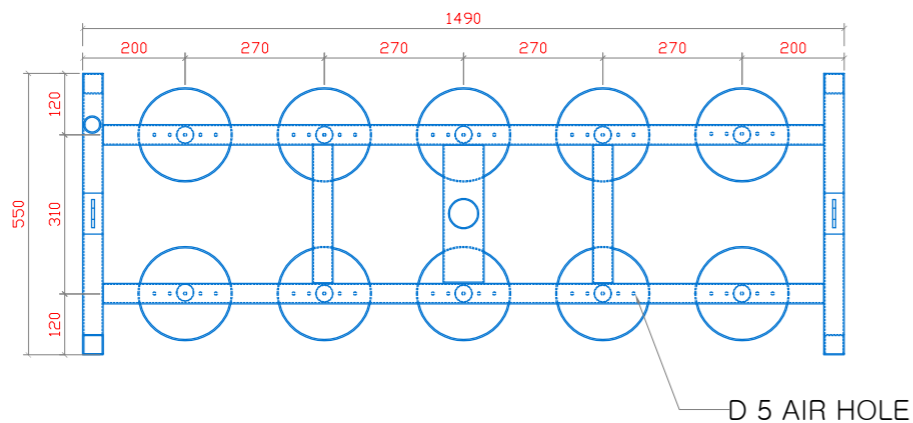
# DETAIL OF DFX-810\*9F



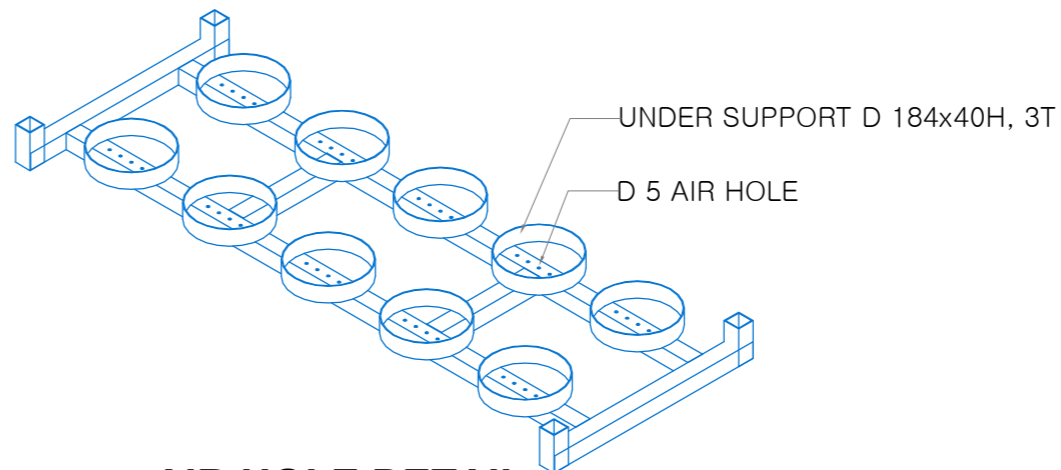
PROJECT NAME						
CLIENT						
ISSUE	A					
ISSUE	A					
TITLE	DETAIL OF DFX-810 * 9F					
SCALE	N/S					
REV.	DATE	DESCRIPTION	DWN	CKD	RVD	PM



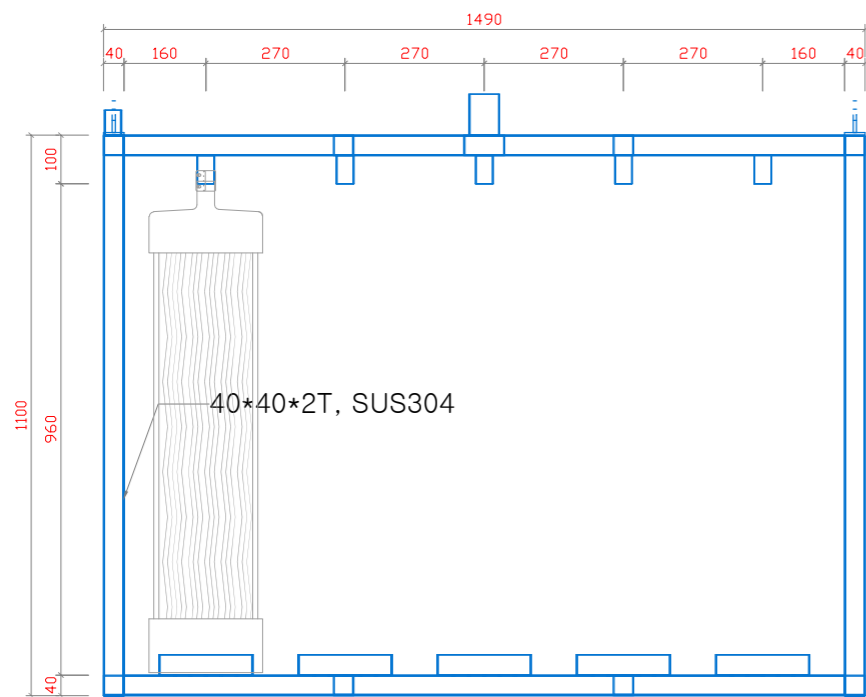
# DETAIL OF DFX-810\*10F



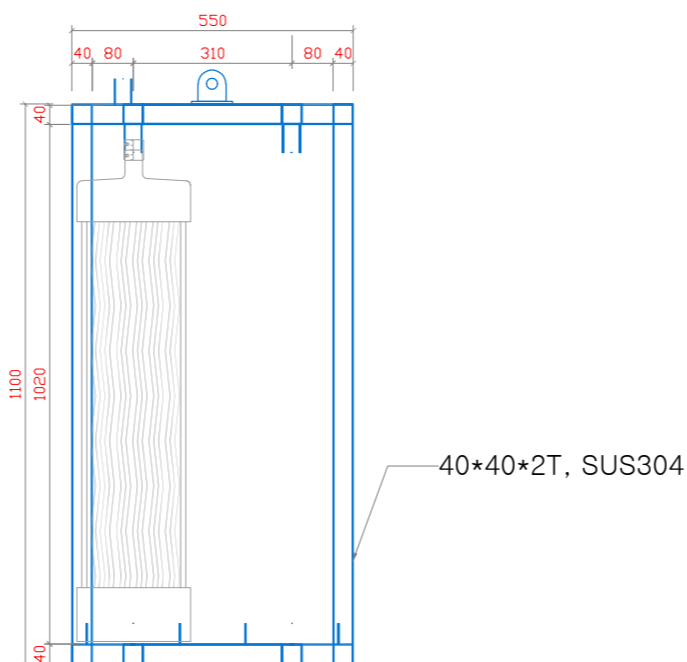
**FLOOR PLAN**



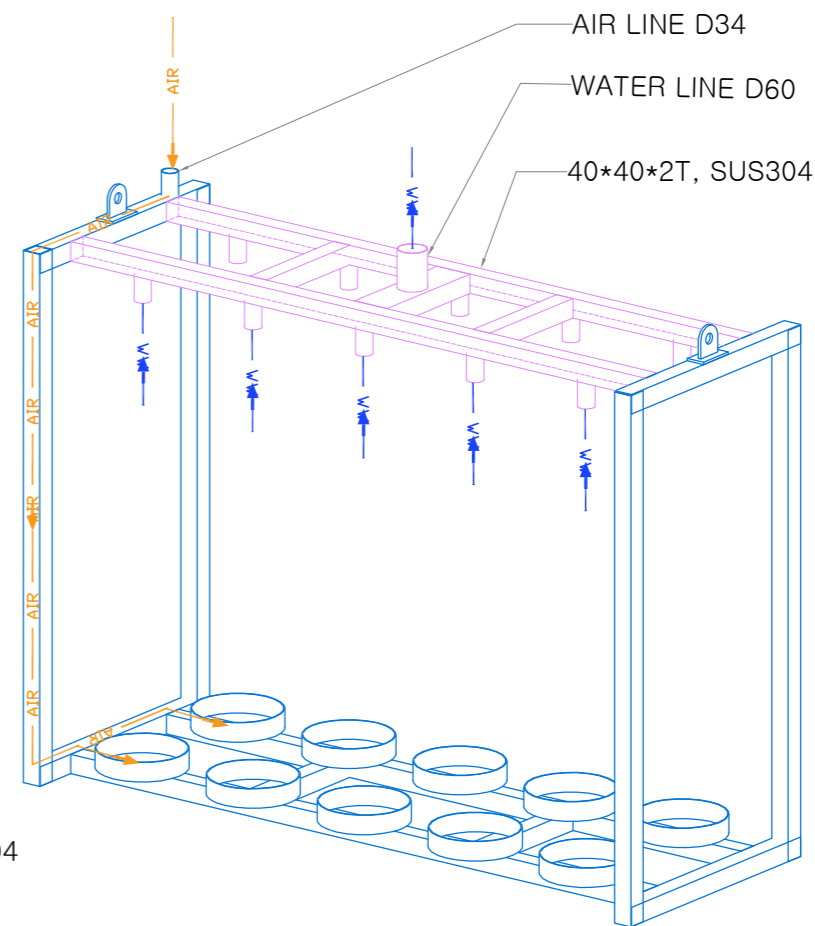
**AIR HOLE DETAIL**



**SECTION 1-1**



**SECTION 2-2**



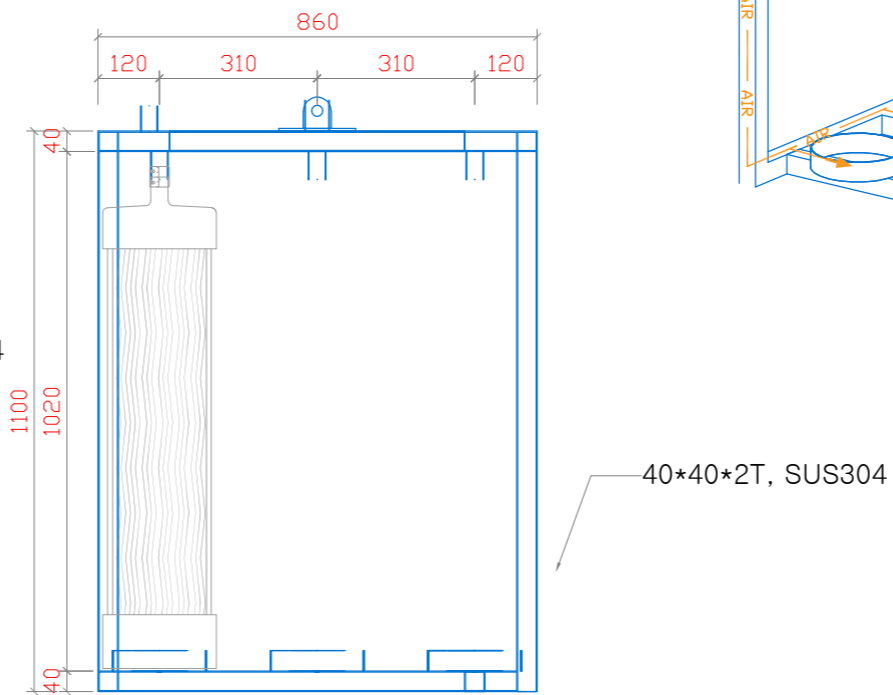
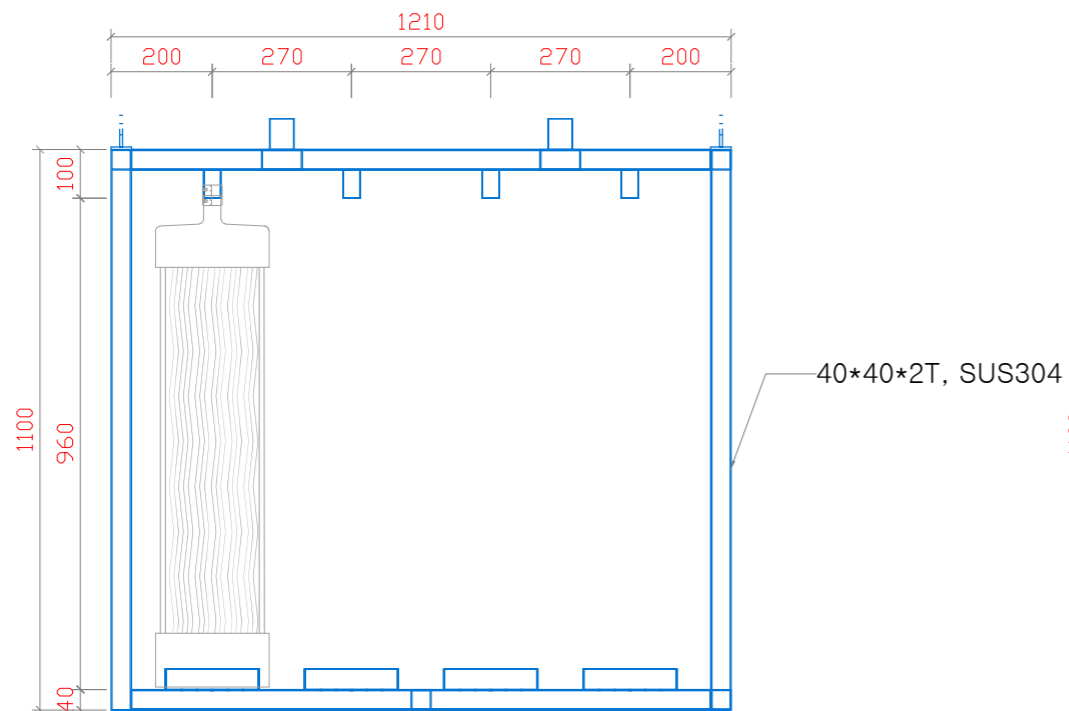
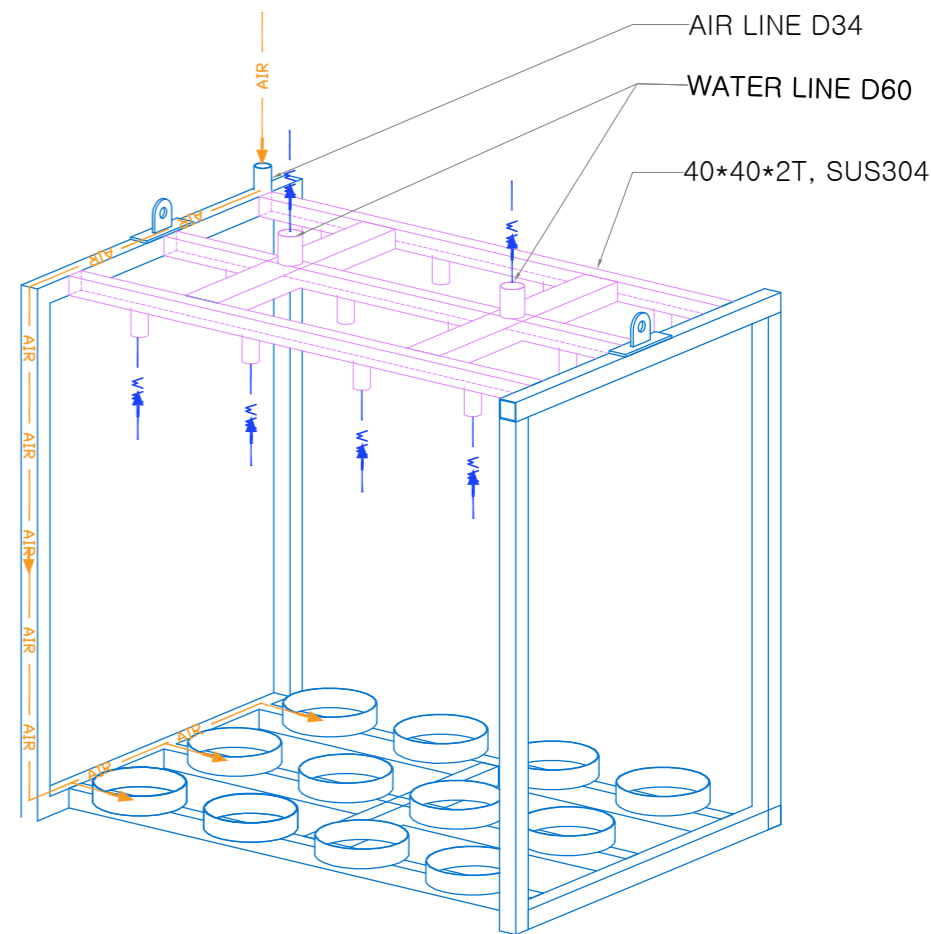
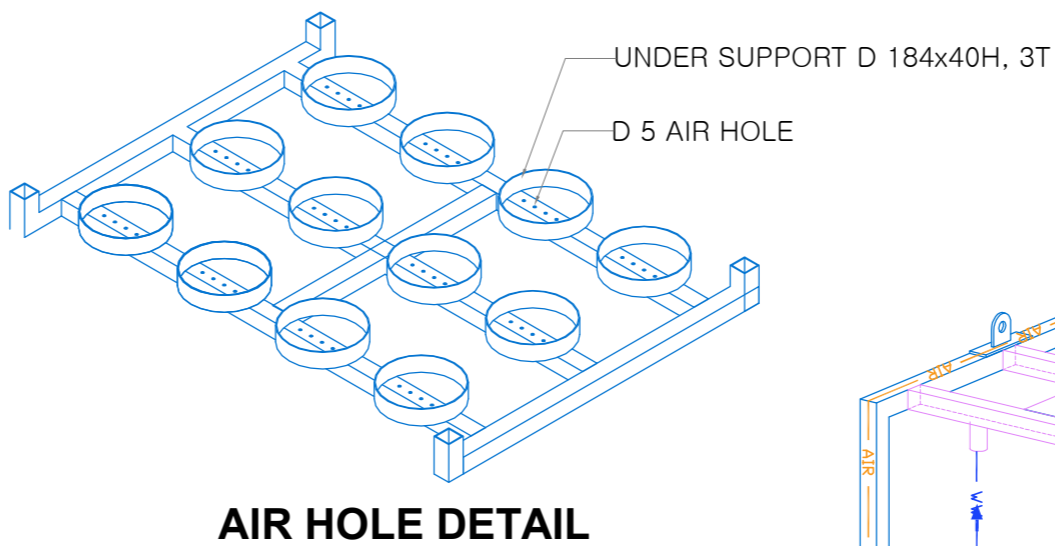
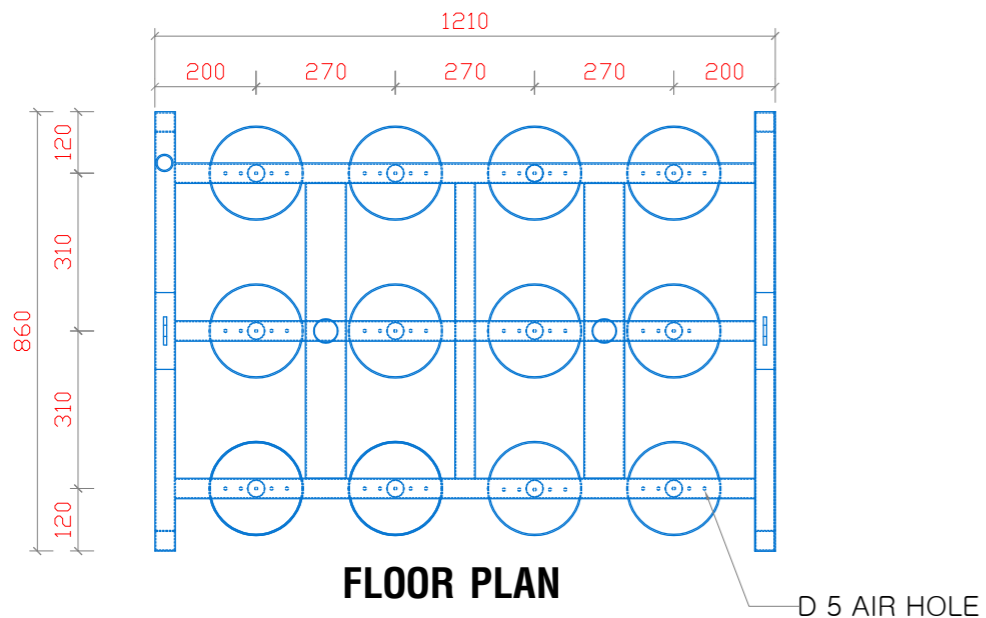
**ISOMETRIC**

REV.	DATE	DESCRIPTION	DWN	CKD	RVD	PM

PROJECT NAME	
CLIENT	
<b>DEERFOS MEMBRANES</b>	
TITLE	DETAIL OF DFX-810 * 10F
SCALE	N/S
REV.	



# DETAIL OF DFX-810\*12F



PROJECT NAME	
CLIENT	
<b>DEERFOS MEMBRANES</b>	
TITLE	DETAIL OF DFX-810 * 12F
SCALE	N/S
REV. DATE	DESCRIPTION
DWN	CKD
RVD	PM

REV.	DATE	DESCRIPTION	DWN	CKD	RVD	PM

