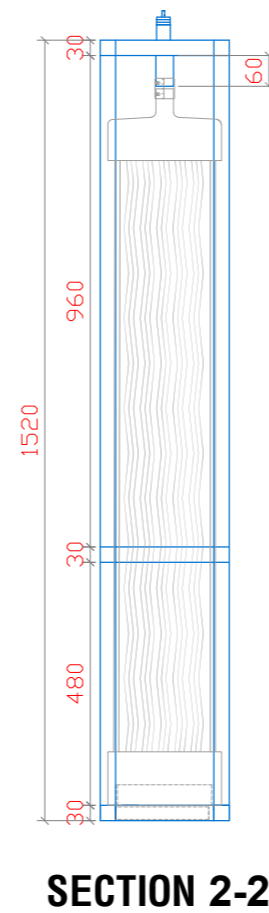
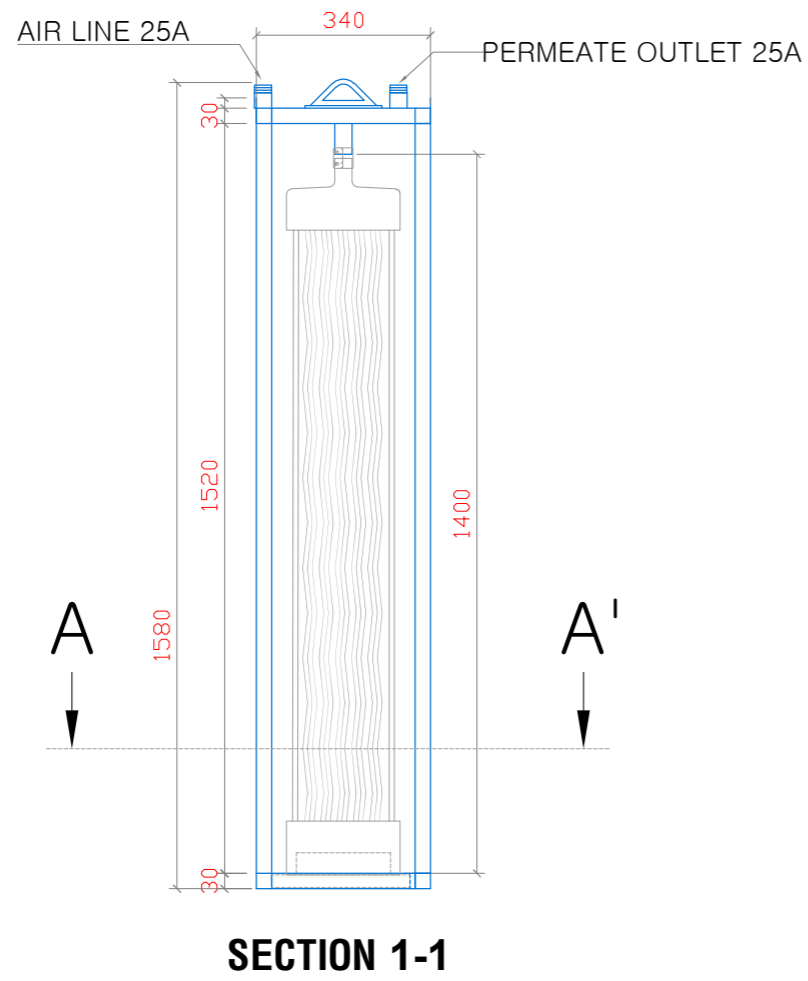
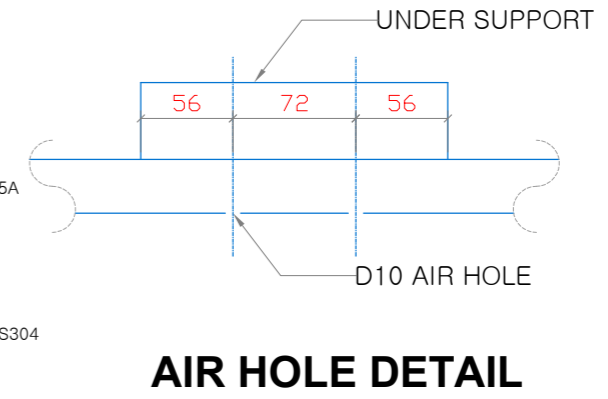
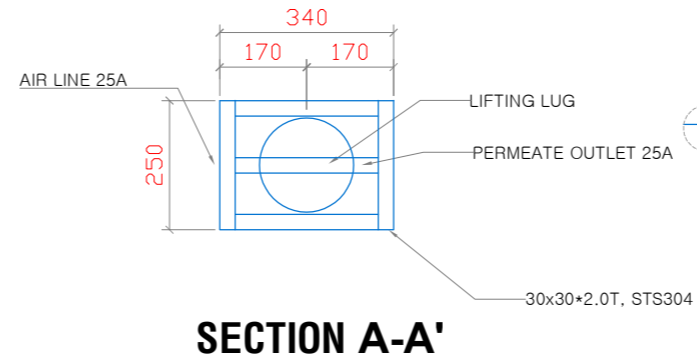
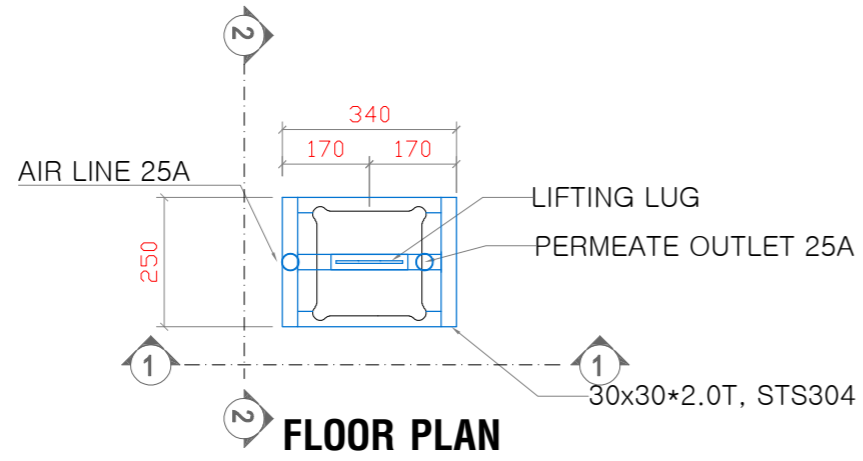


DETAIL OF DFX-820*1F

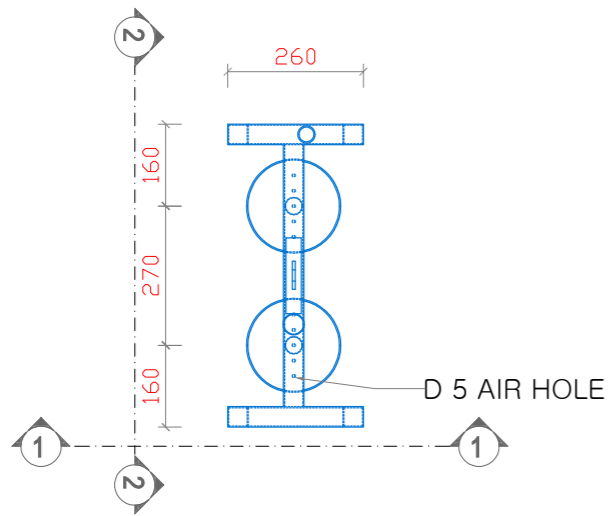


| REV. | DATE | DESCRIPTION | DWN | CKD | RVD | PM |
|------|------|-------------|-----|-----|-----|----|
| | | | | | | |

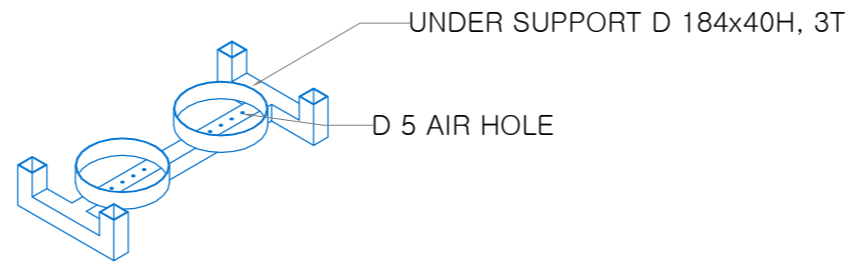
| | |
|--------------------------|------------------------|
| PROJECT NAME | |
| CLIENT | |
| DEERFOS MEMBRANES | |
| TITLE | DETAIL OF DFX-820 * 1F |
| SCALE | N/S |
| REV. Δ | |



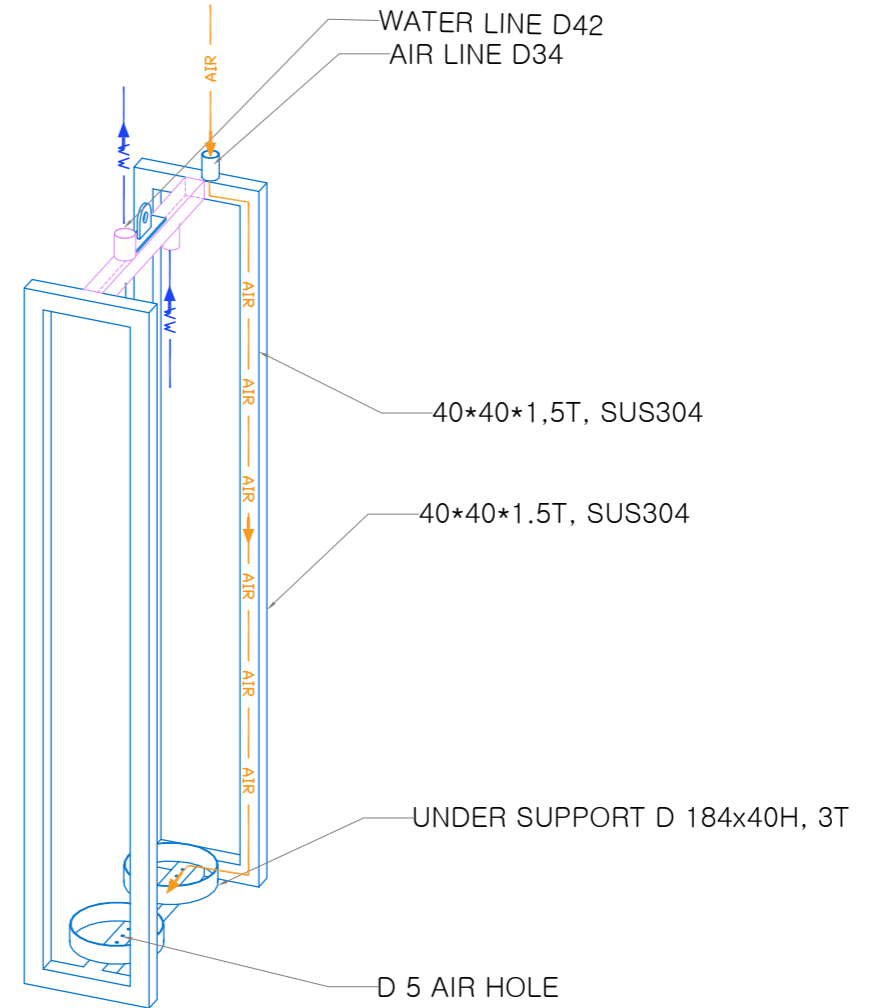
DETAIL OF DFX-820*2F



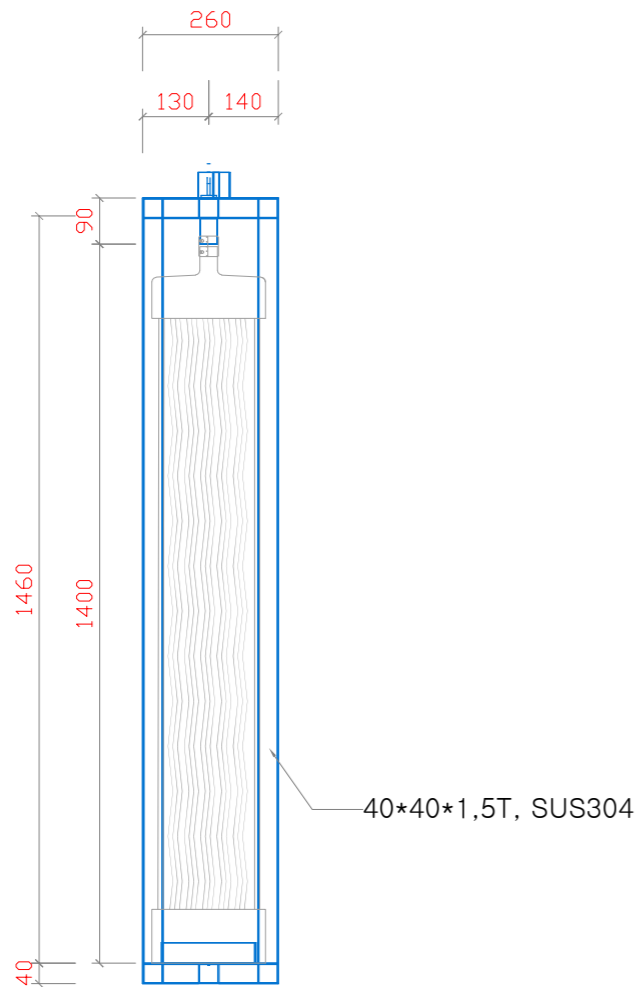
FLOOR PLAN



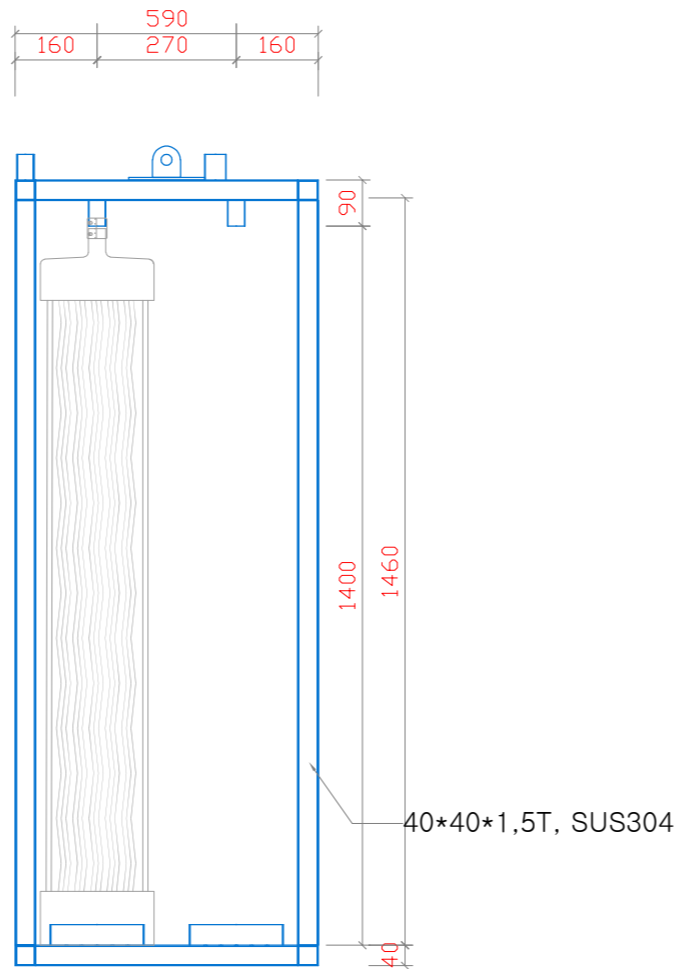
AIR HOLE DETAIL



ISOMETRIC



SECTION 1-1



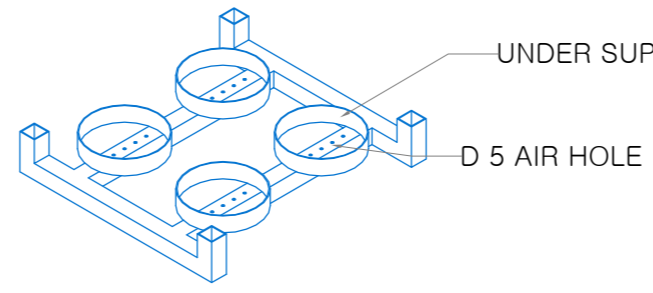
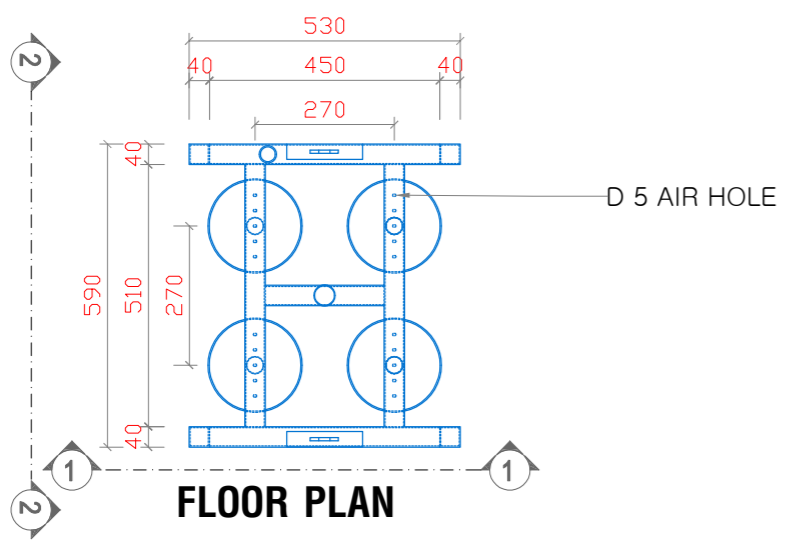
SECTION 2-2

| REV. | DATE | DESCRIPTION | DWN | CKD | RVD | PM |
|------|------|-------------|-----|-----|-----|----|
| | | | | | | |
| | | | | | | |

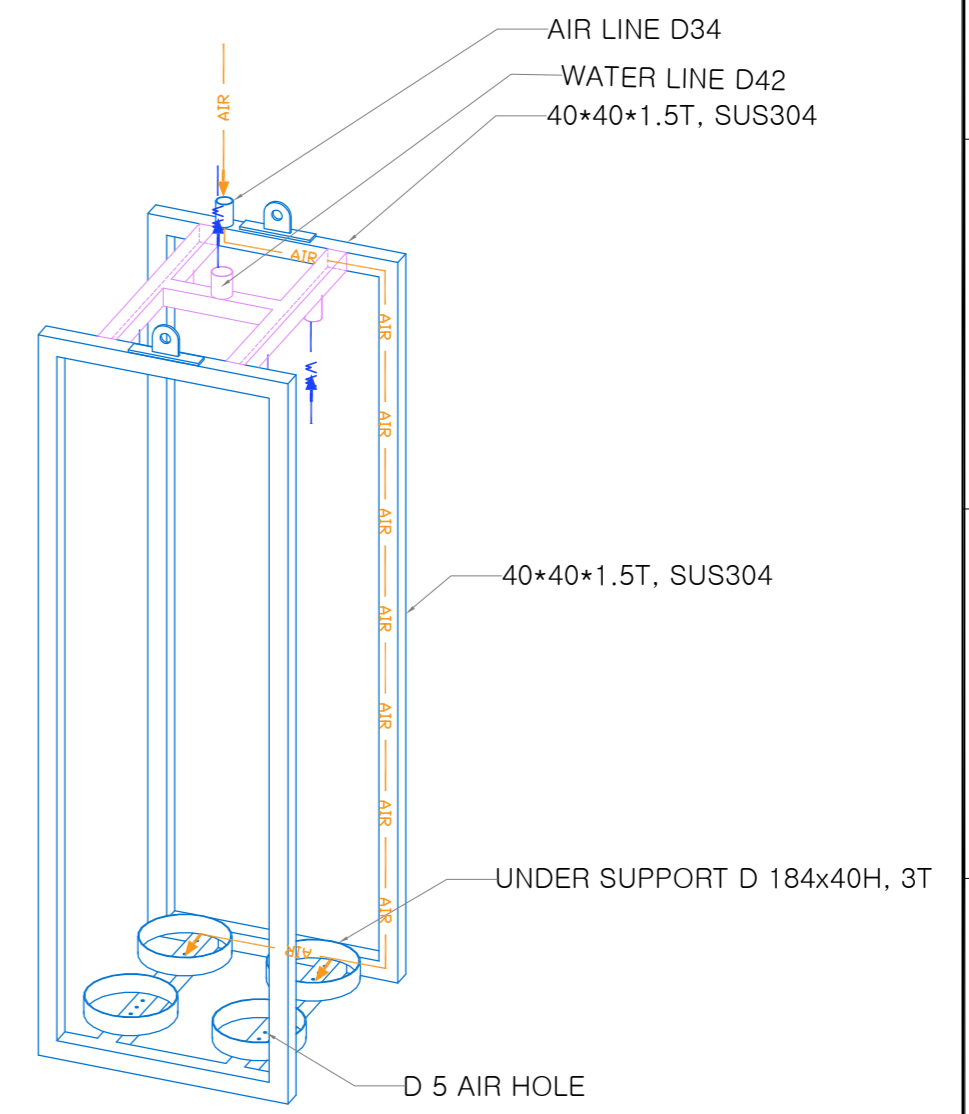
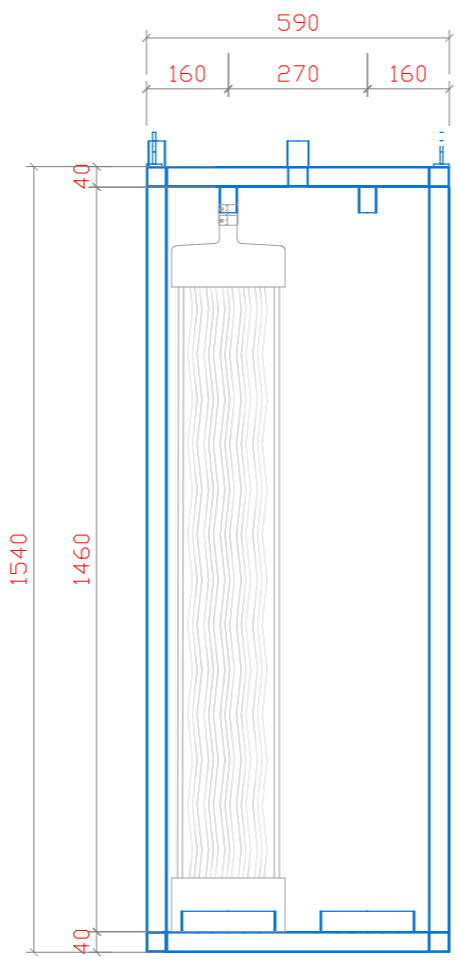
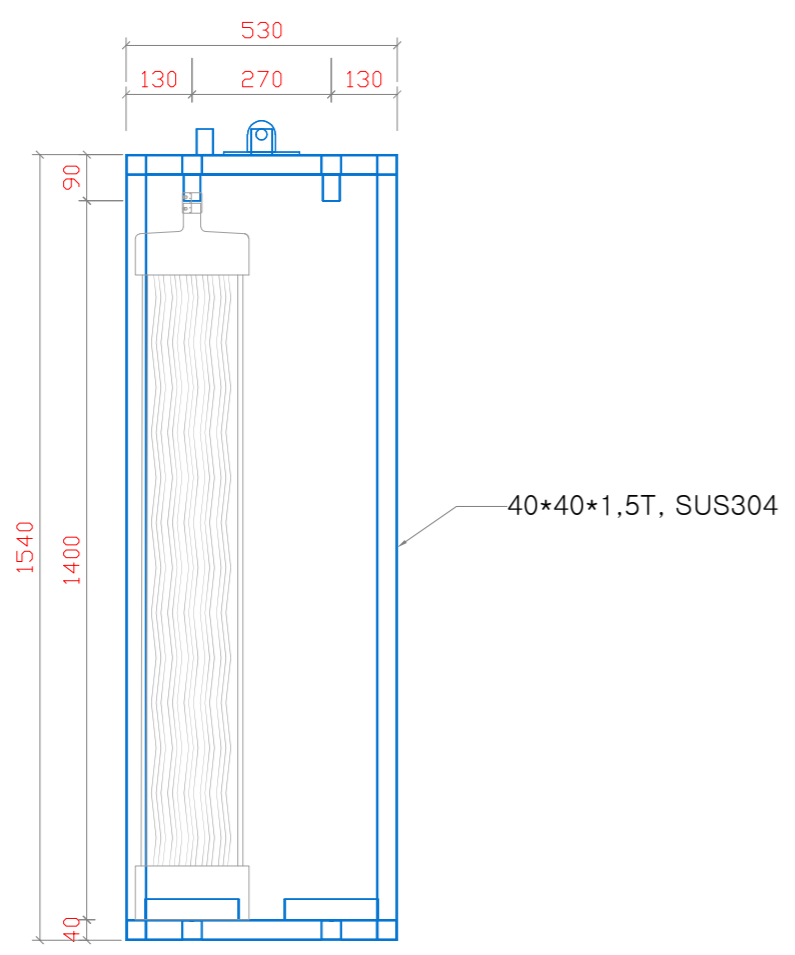
| | |
|--------------------------|------------------------|
| PROJECT NAME | |
| CLIENT | |
| DEERFOS MEMBRANES | |
| TITLE | DETAIL OF DFX-820 * 2F |
| SCALE | N/S |
| REV. | |



DETAIL OF DFX-820*4F



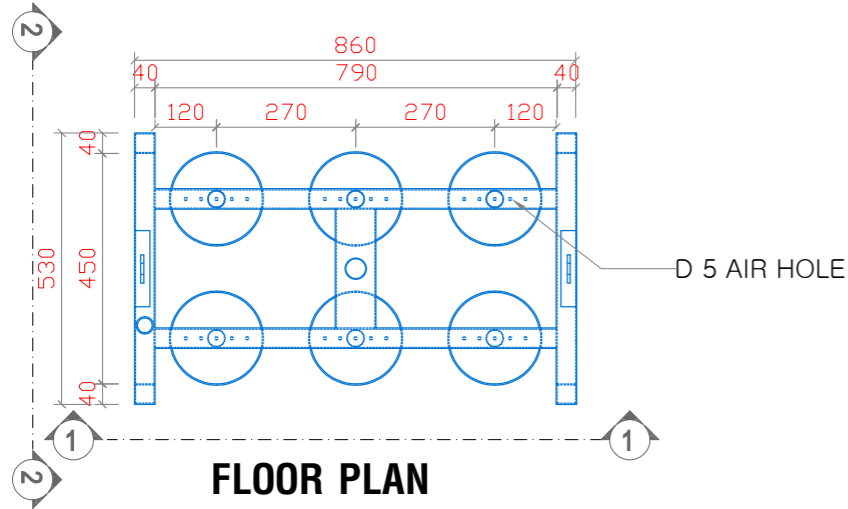
AIR HOLE DETAIL



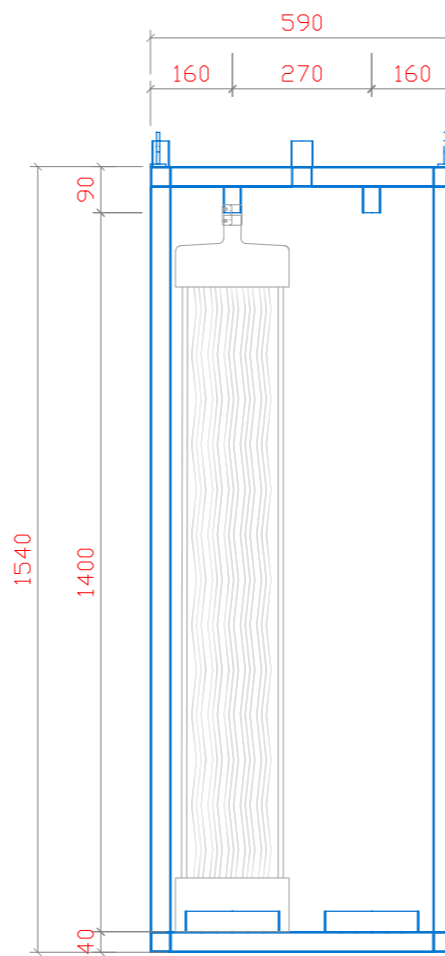
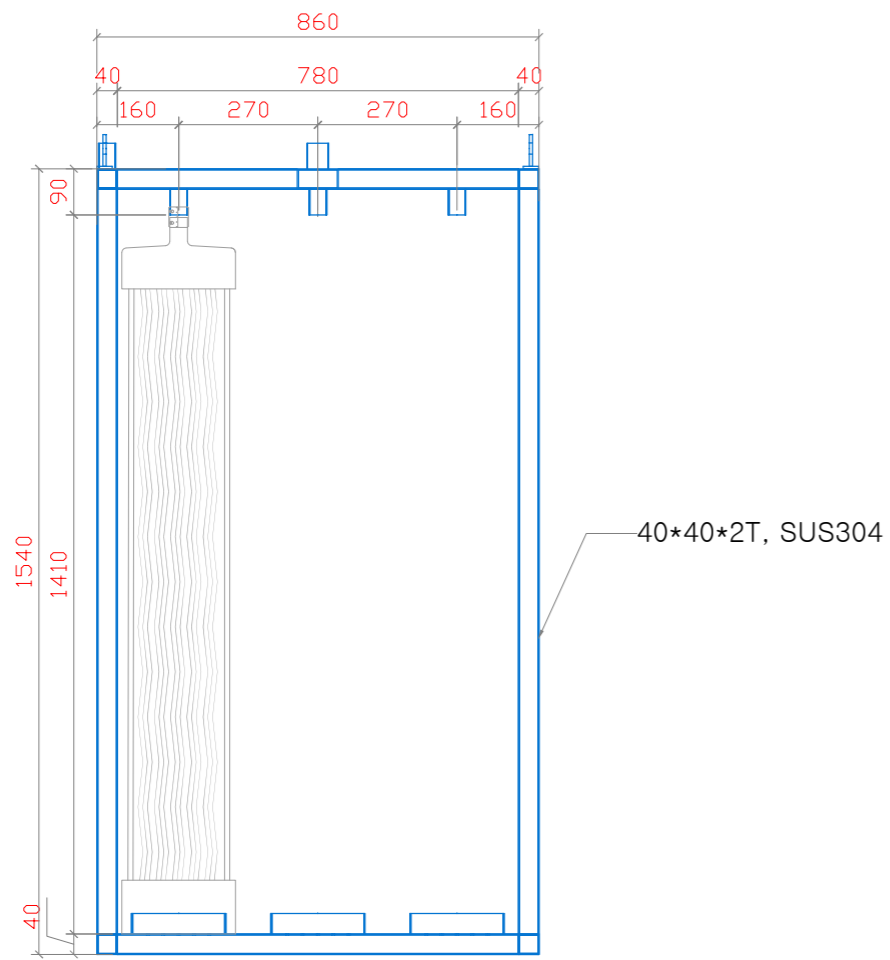
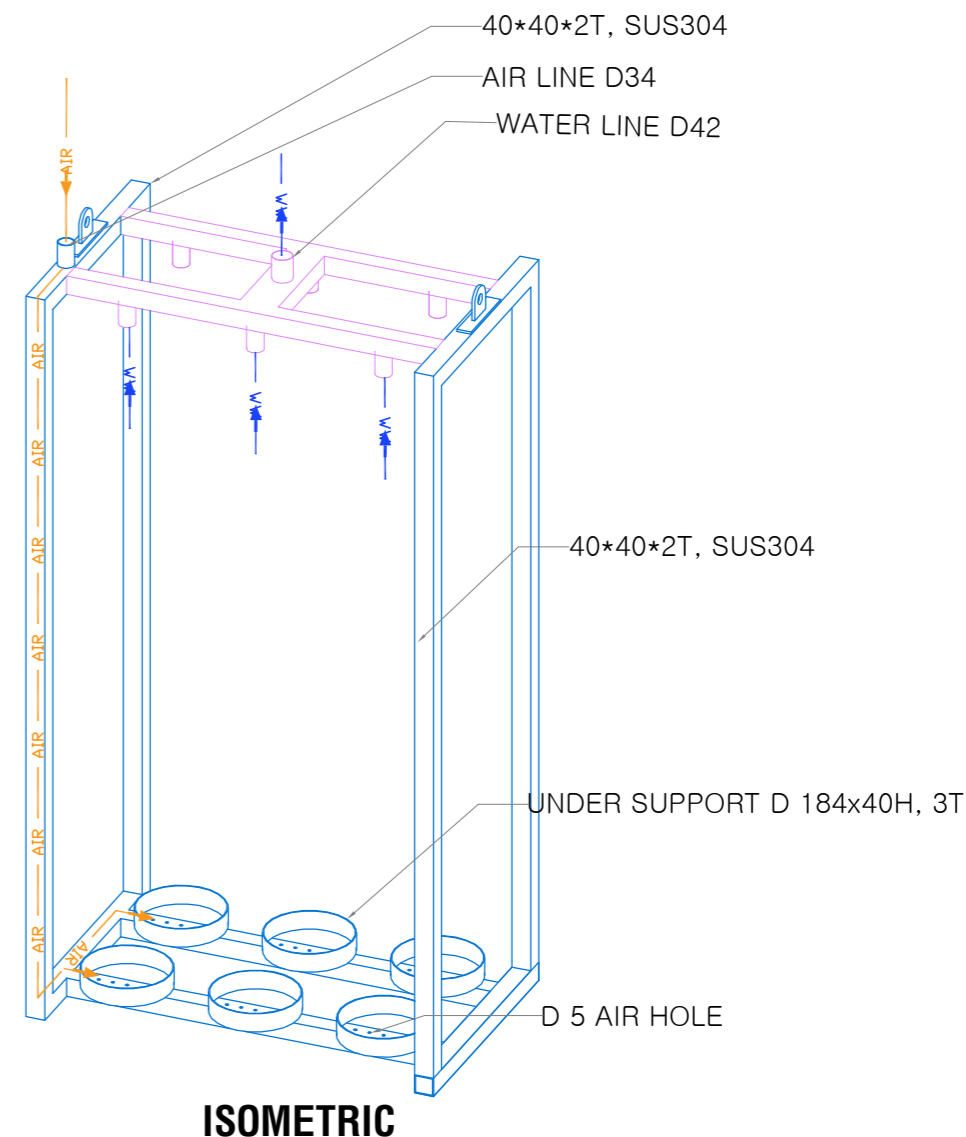
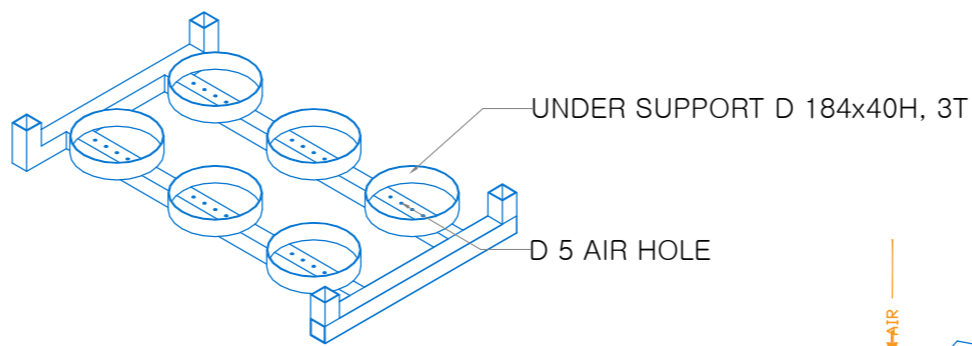
| REV. | DATE | DESCRIPTION | DWN | CKD | RVD | PM |
|------|------|-------------|-----|-----|-----|----|
| | | | | | | |

| | |
|--------------------------|------------------------|
| PROJECT NAME | |
| CLIENT | |
| DEERFOS MEMBRANES | |
| TITLE | DETAIL OF DFX-820 * 4F |
| SCALE | N/S |
| REV. A | |





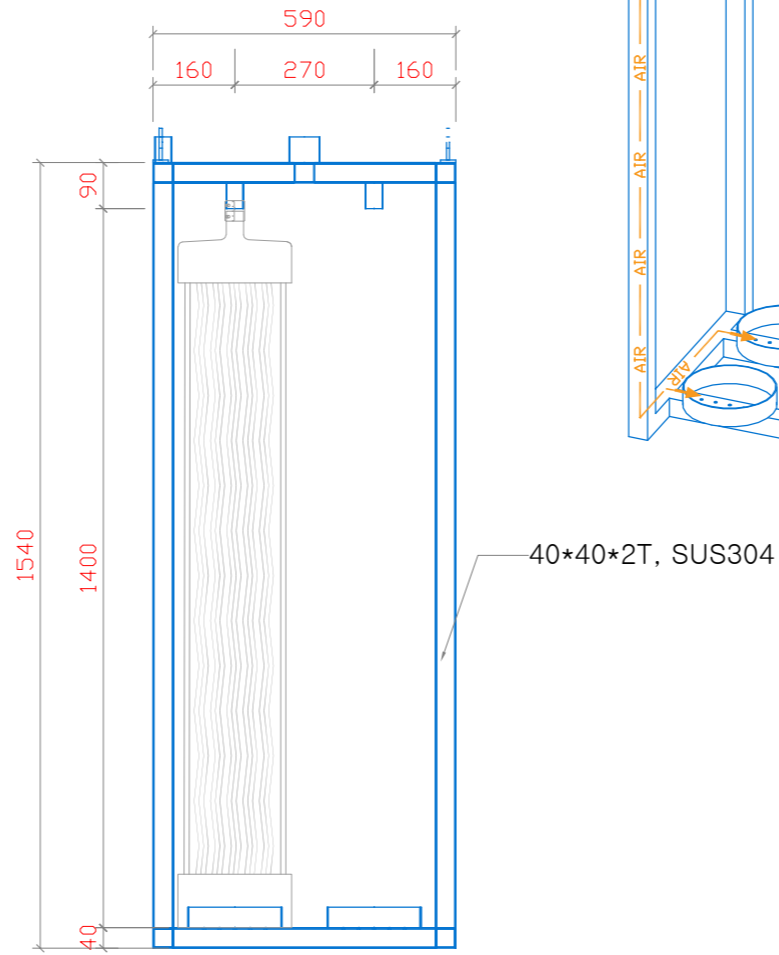
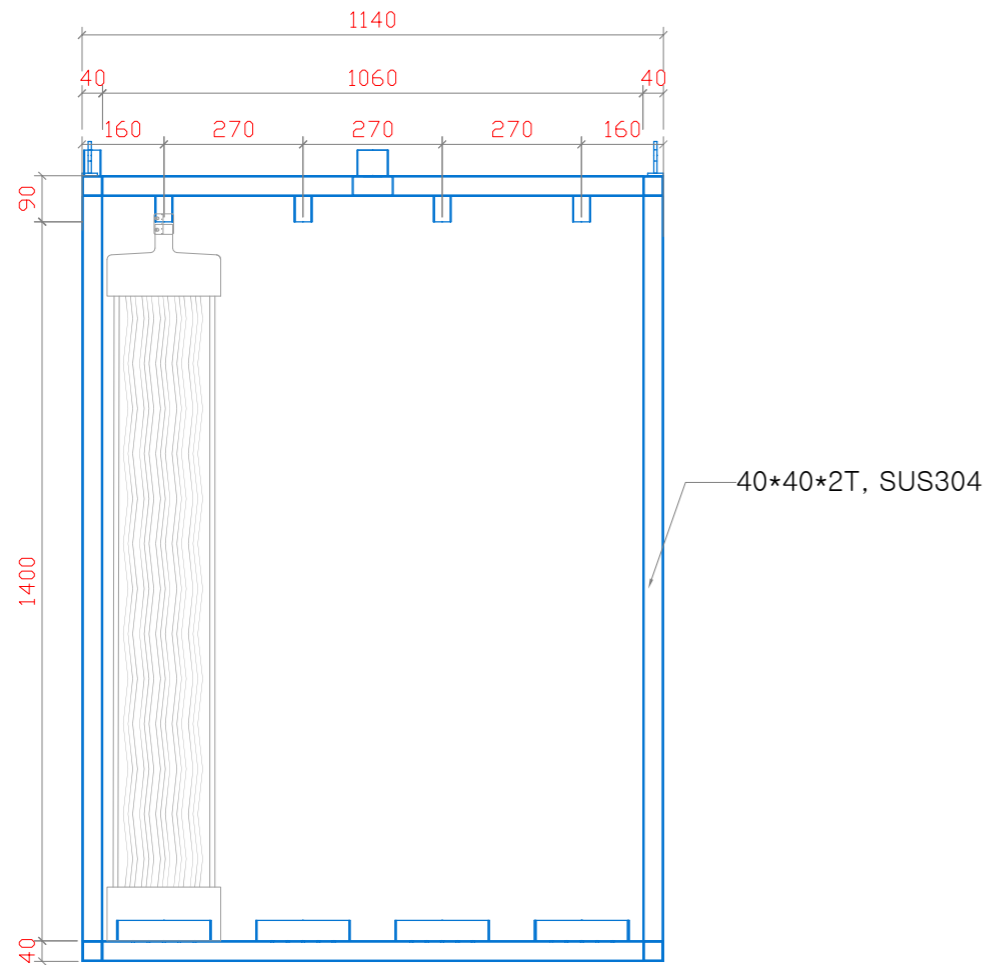
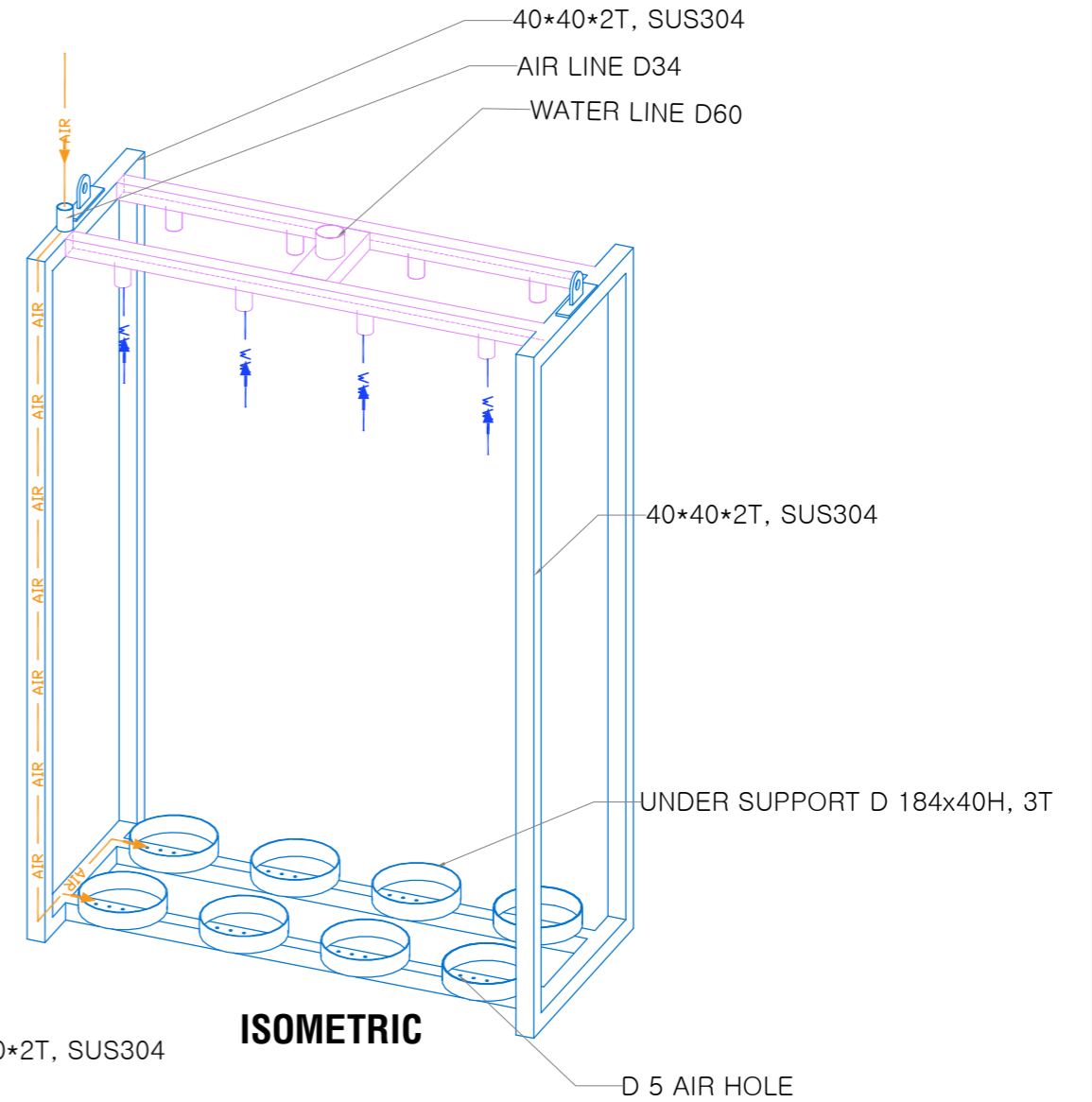
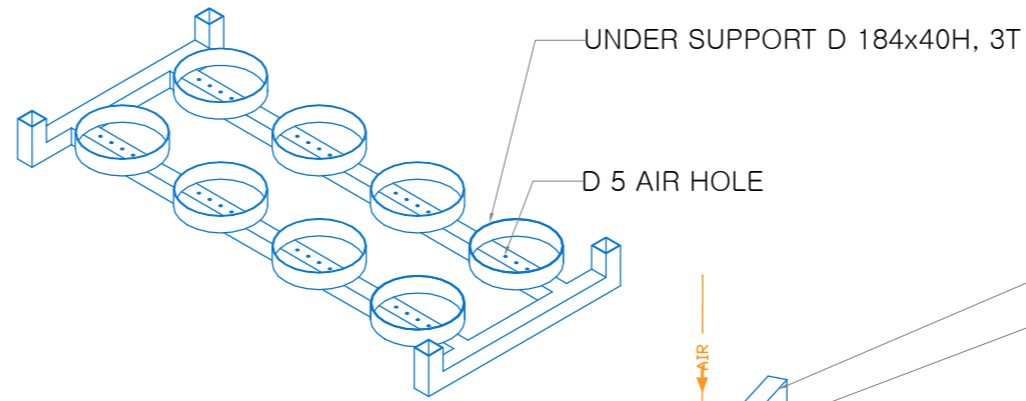
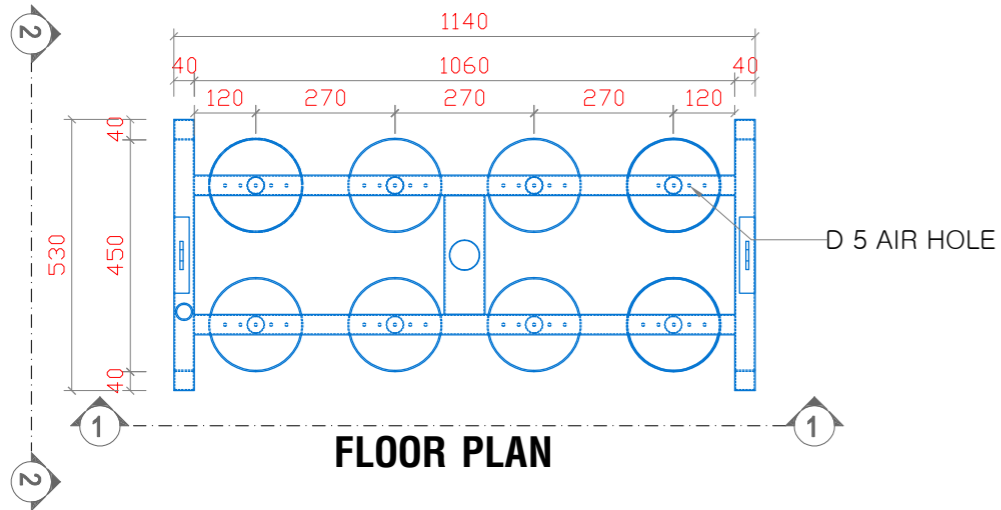
DETAIL OF DFX-820*6F



| | |
|--------------------------|-------------------------------|
| PROJECT NAME | |
| CLIENT | |
| DEERFOS MEMBRANES | |
| TITLE | DETAIL OF DFX-820 * 6F |
| SCALE | N/S |
| REV. DATE | |
| DESCRIPTION | |
| DWN | |
| CKD | |
| RVD | |
| PM | |



DETAIL OF DFX-820*8F

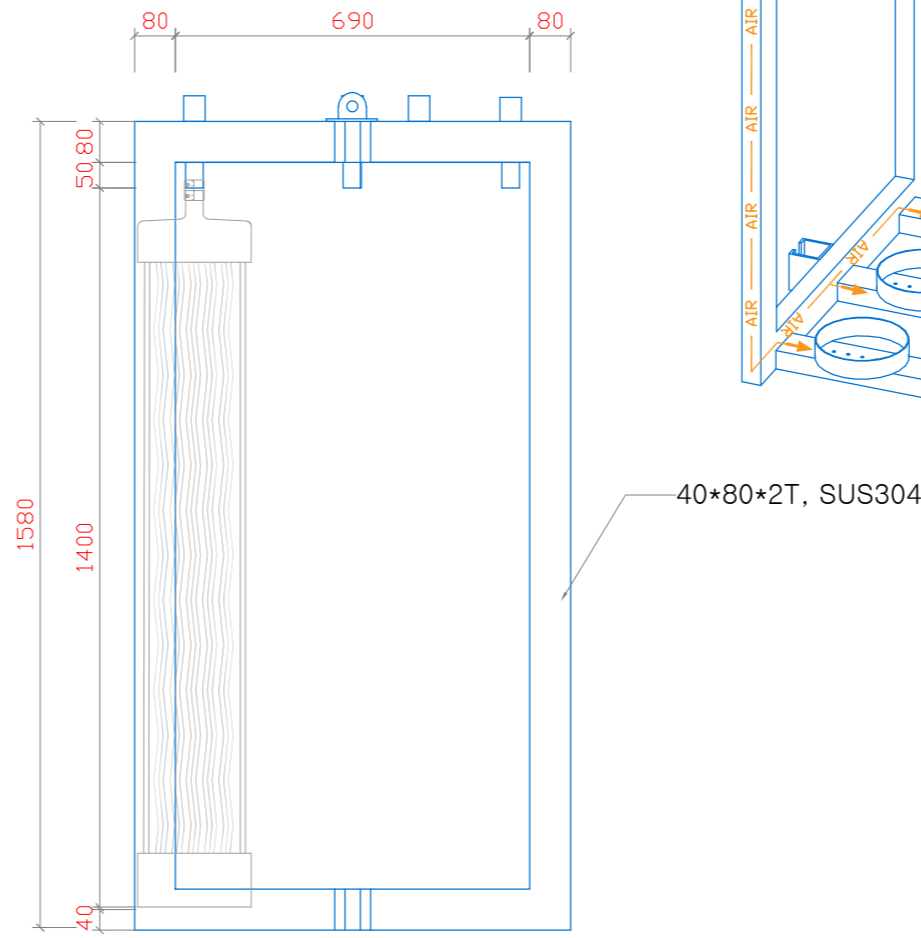
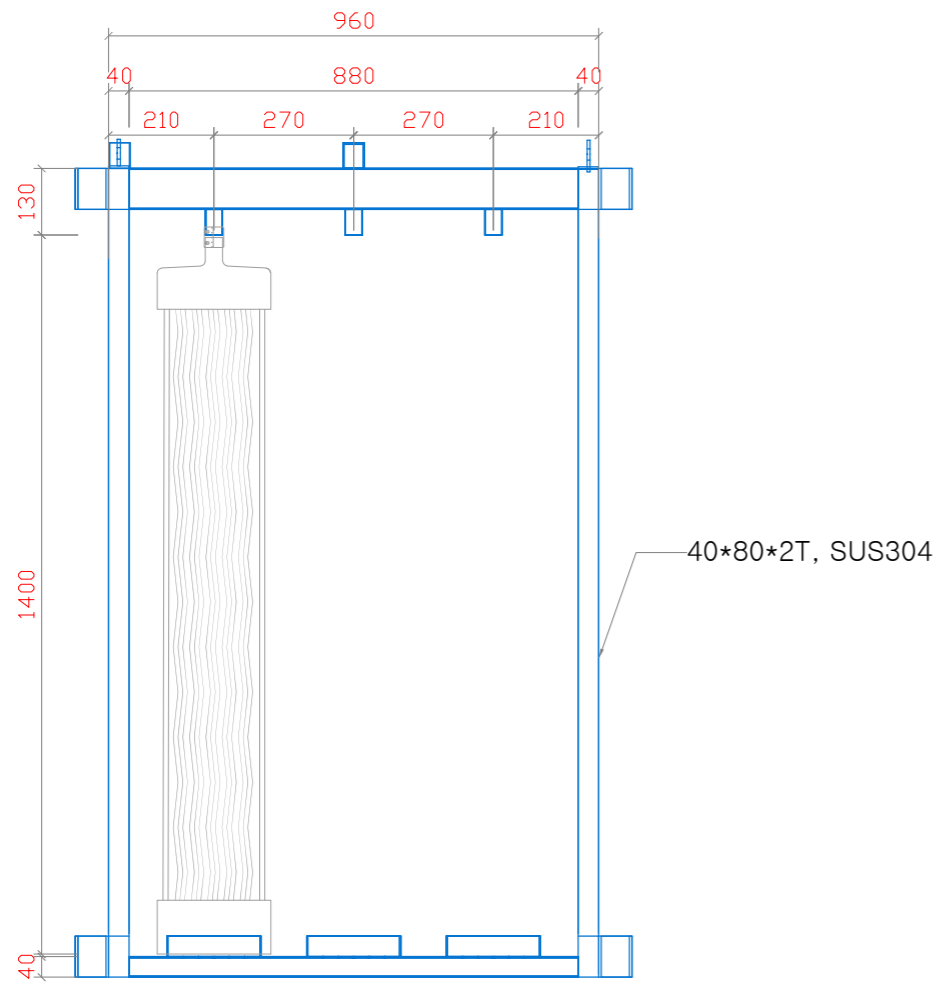
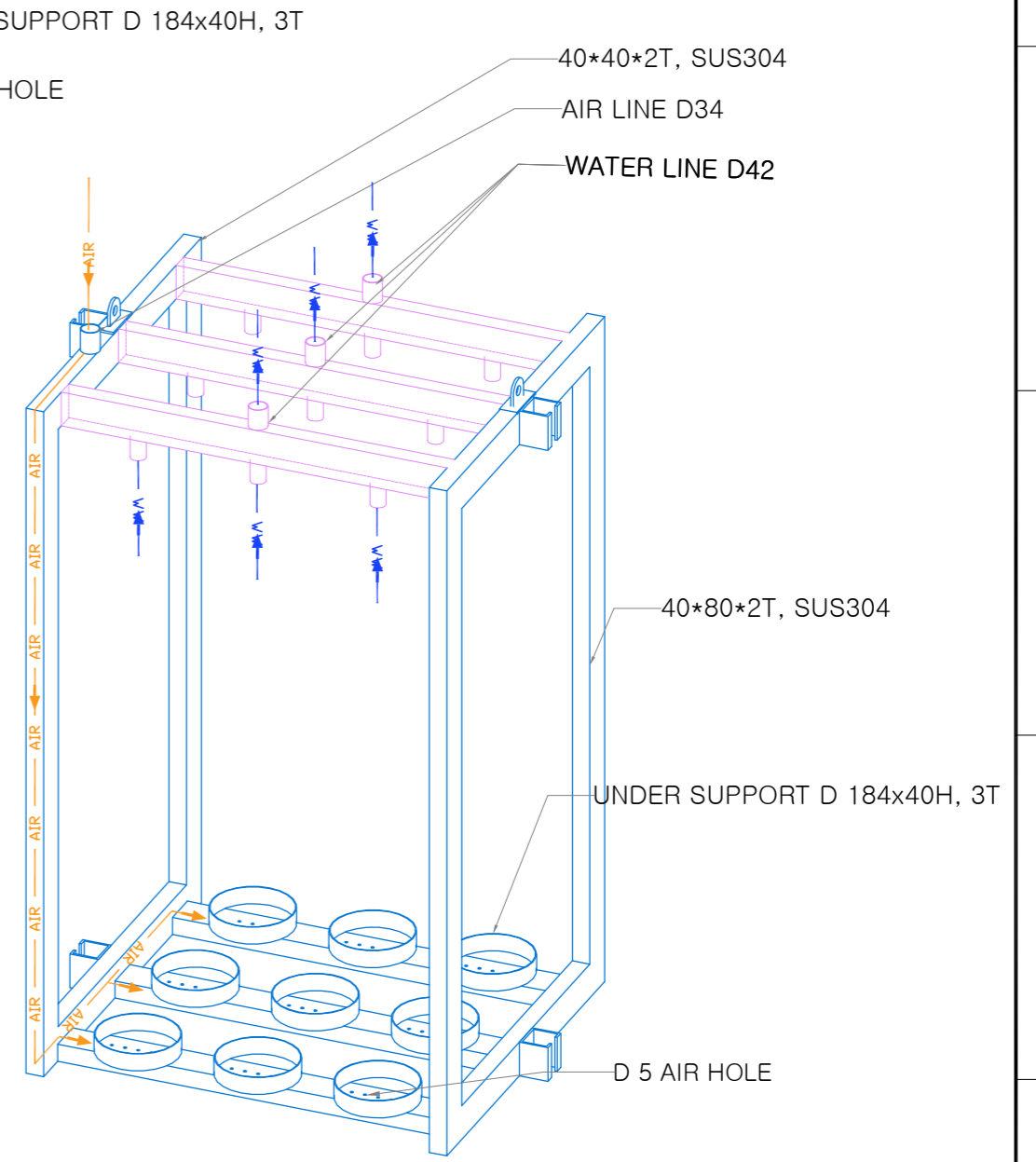
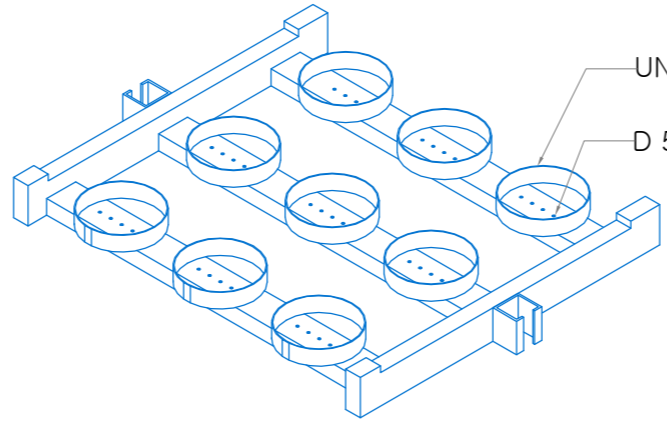
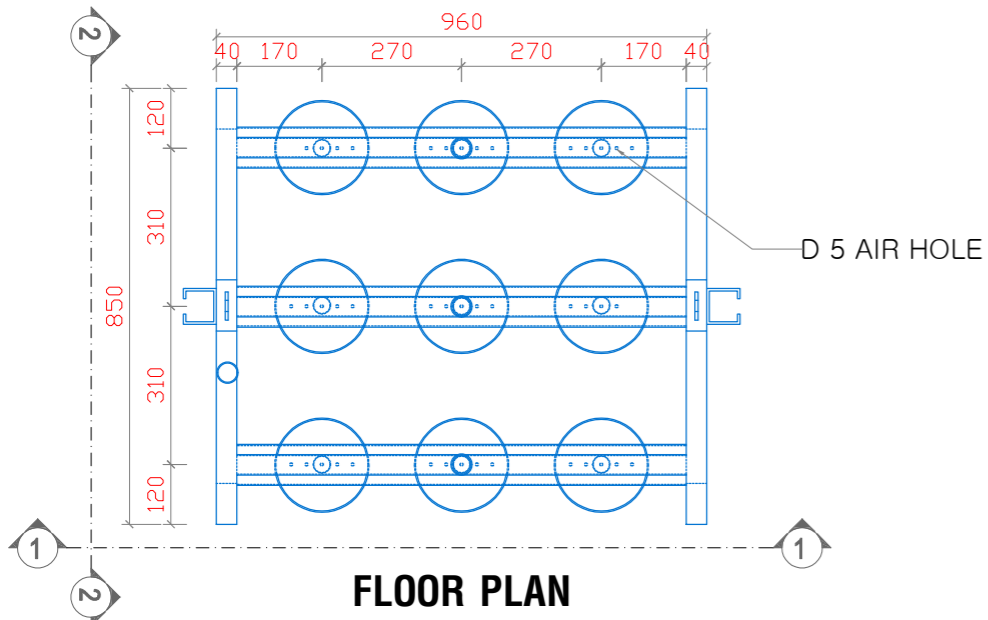


| REV. | DATE | DESCRIPTION | DWN | CKD | RVD | PM |
|------|------|-------------|-----|-----|-----|----|
| | | | | | | |

| | |
|--------------------------|------------------------|
| PROJECT NAME | |
| CLIENT | |
| DEERFOS MEMBRANES | |
| TITLE | DETAIL OF DFX-820 * 8F |
| SCALE | N/S |
| REV. | |



DETAIL OF DFX-820*9F

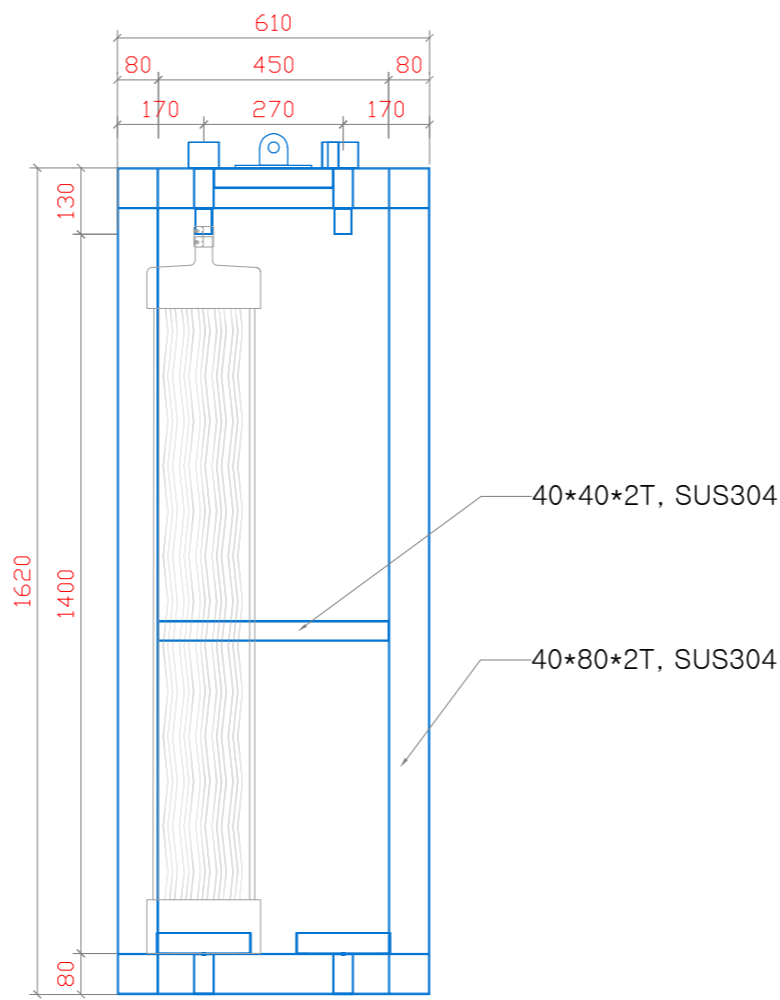
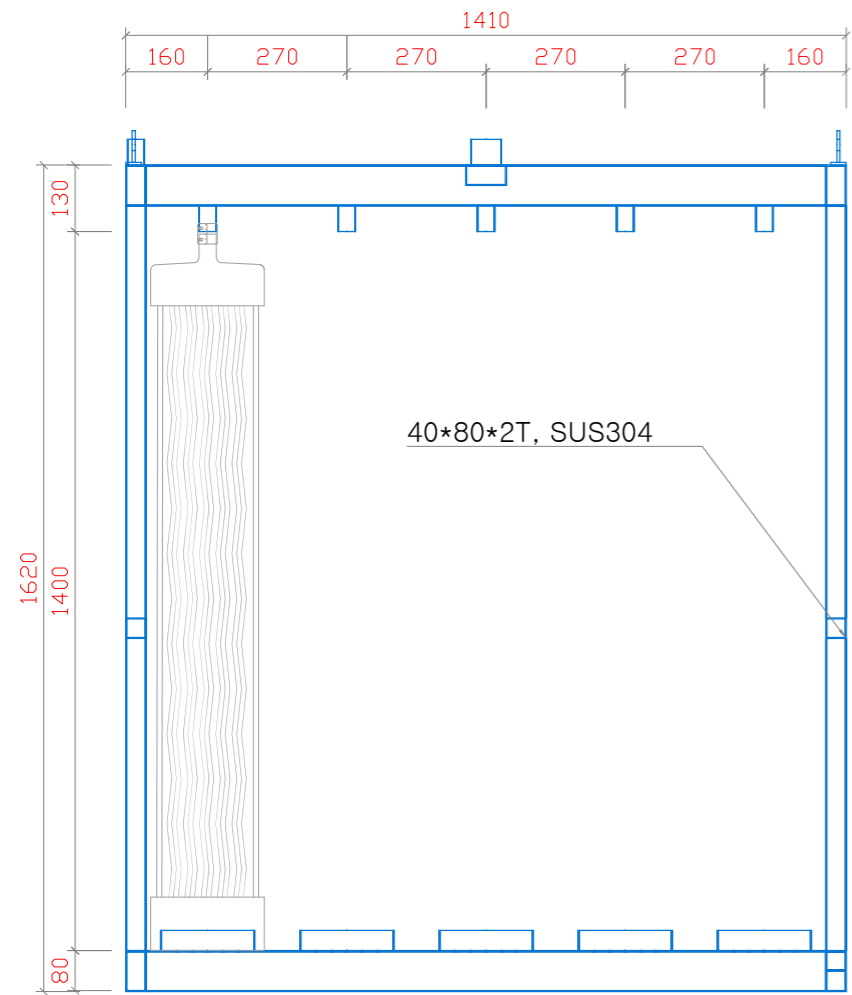
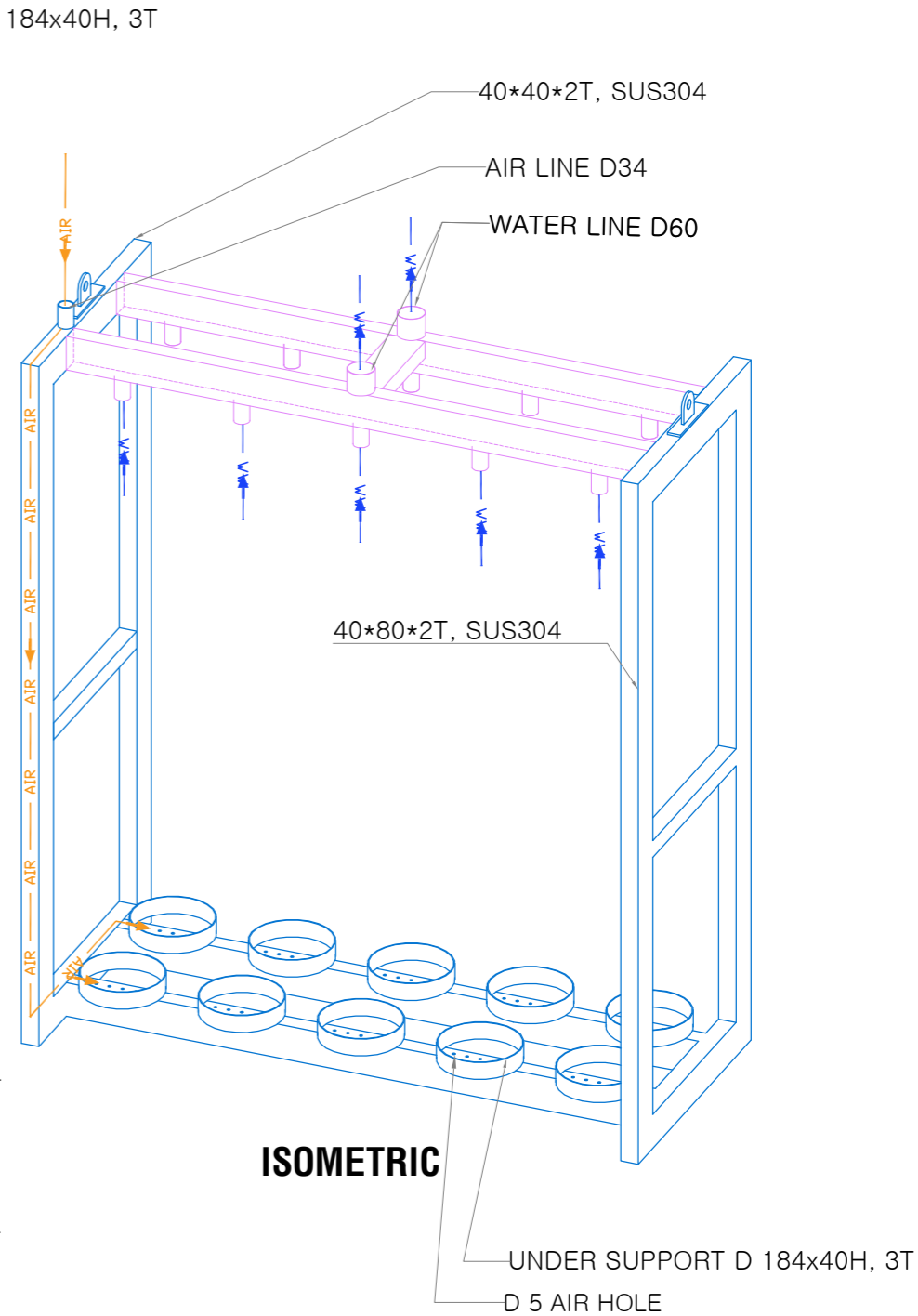
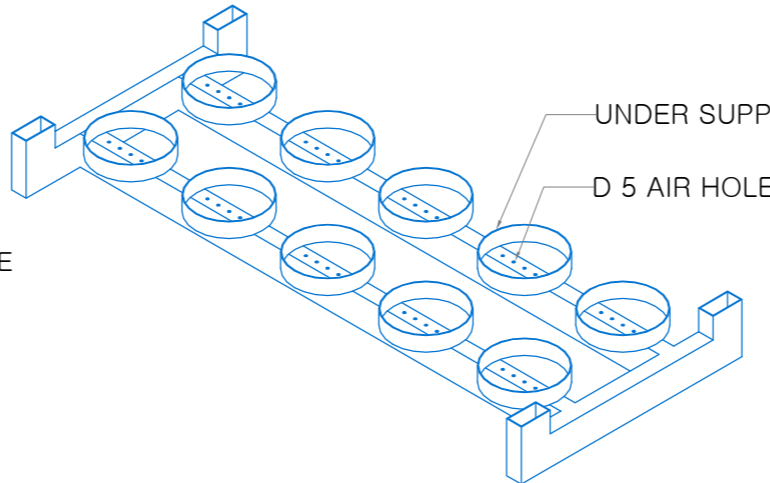
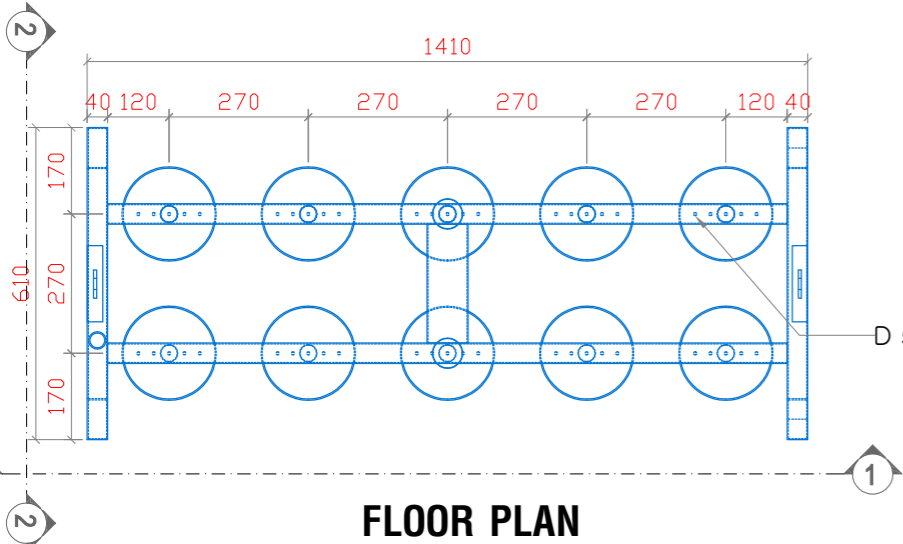


| | |
|--------------------------|------------------------|
| PROJECT NAME | |
| CLIENT | |
| DEERFOS MEMBRANES | |
| TITLE | DETAIL OF DFX-820 * 9F |
| SCALE | N/S |
| REV. DATE | |
| DESCRIPTION | |
| DWN | |
| CKD | |
| RVD | |
| PM | |

| | | | | | | |
|------|------|-------------|-----|-----|-----|----|
| REV. | DATE | DESCRIPTION | DWN | CKD | RVD | PM |
| | | | | | | |



DETAIL OF DFX-820*10F

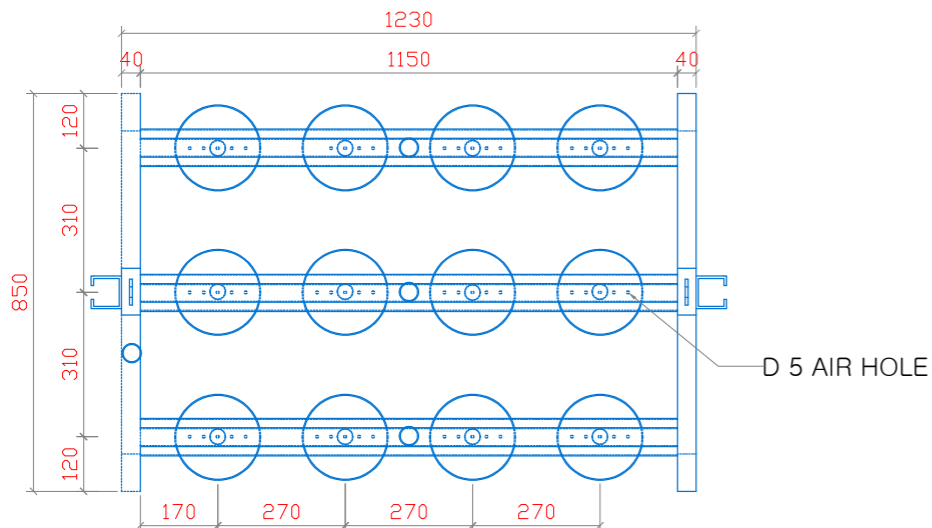


| | |
|--------------------------|-------------------------|
| PROJECT NAME | |
| CLIENT | |
| DEERFOS MEMBRANES | |
| TITLE | DETAIL OF DFX-820 * 10F |
| SCALE | N/S |
| REV. DATE | |
| DESCRIPTION | |
| DWN | |
| CKD | |
| RVD | |
| PM | |

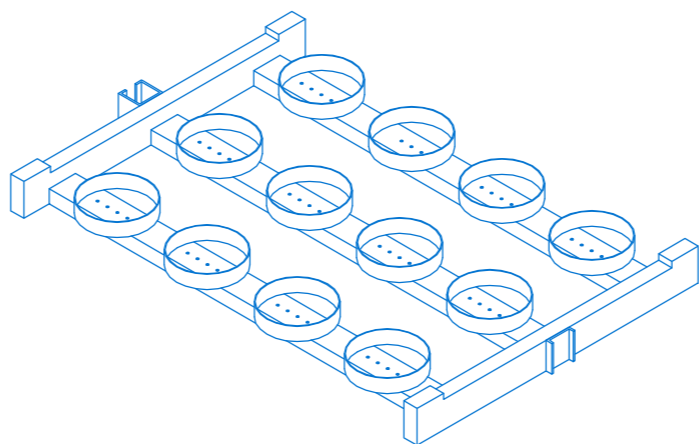
| | | | | | | |
|------|------|-------------|-----|-----|-----|----|
| REV. | DATE | DESCRIPTION | DWN | CKD | RVD | PM |
| | | | | | | |



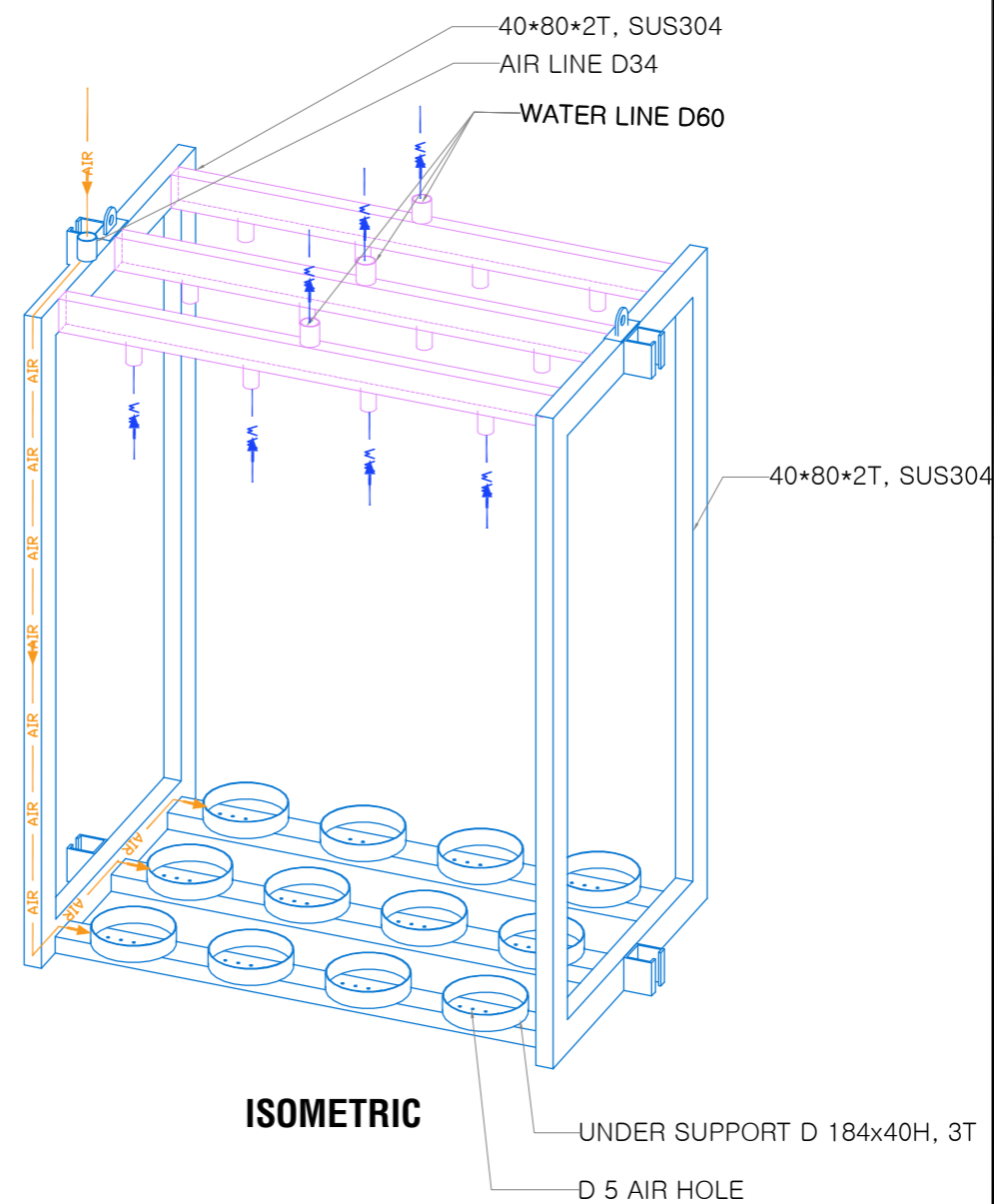
DETAIL OF DFX-830*12F



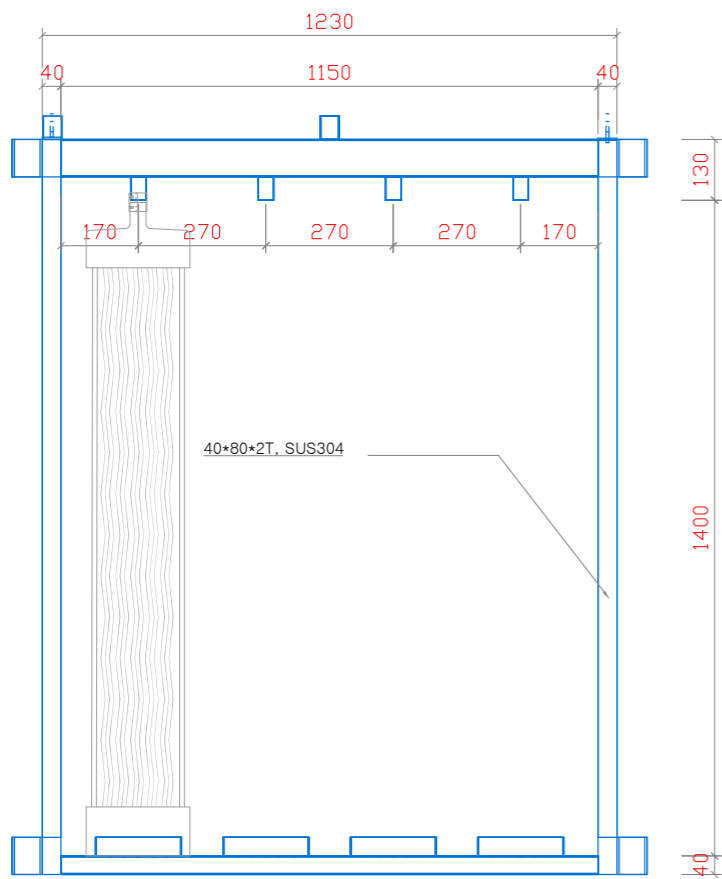
FLOOR PLAN



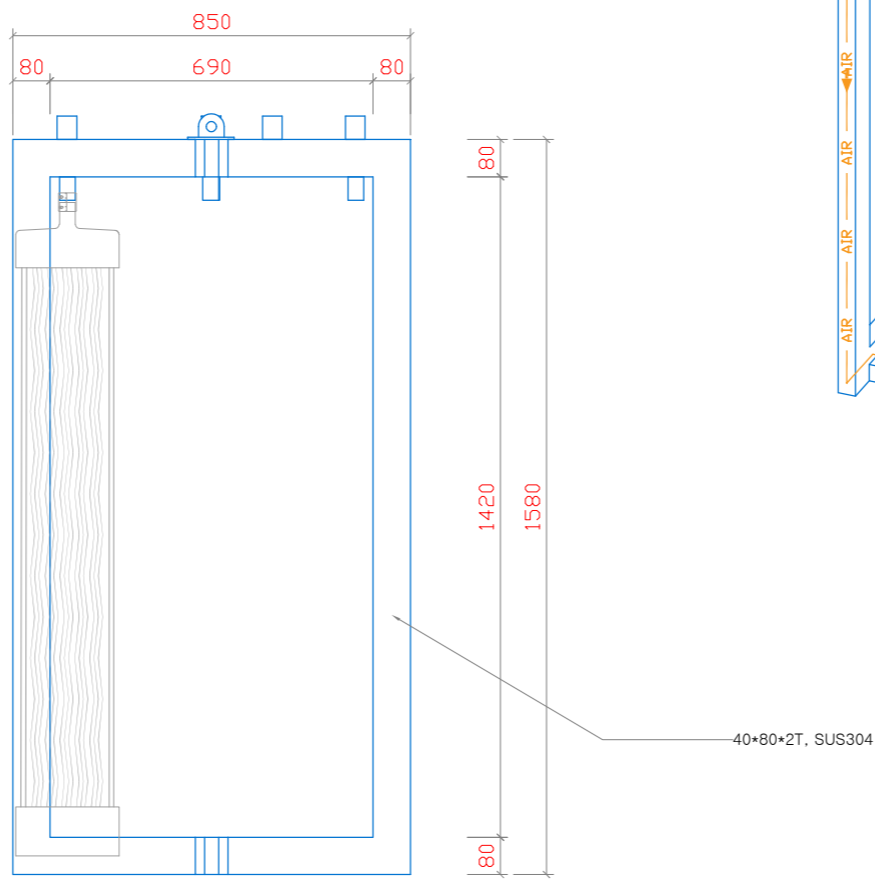
AIR HOLE DETAIL



ISOMETRIC



SECTION 1-1



SECTION 2-2

| REV. | DATE | DESCRIPTION | DWN | CKD | RVD | PM |
|------|------|-------------|-----|-----|-----|----|
| | | | | | | |

| | |
|--------------------------|-------------------------|
| PROJECT NAME | |
| CLIENT | |
| DEERFOS MEMBRANES | |
| TITLE | DETAIL OF DFX-830 * 12F |
| SCALE | N/S |
| REV. | |

